



OWNER'S MANUAL

TXT FREEDOM EX1 EFI

694207 - C

ISSUED DECEMBER 2019

REVISED AUGUST 2020

 **WARNING**

Read and comply with all of the instructions and safety precautions in this manual and on all product labels.

Failure to follow the safety precautions could result in serious injury or death.

California Proposition 65



WARNING

The Engine Exhaust from this product contains chemicals known to the State of California to cause cancer, birth defects or other reproductive harm.

 **WARNING**

Never modify the vehicle in any way that will alter the weight distribution of the vehicle, decrease its stability, or increase the speed beyond the factory specifications. Such modifications can cause serious personal injury or death. The manufacturer, TEXTRON SPECIALIZED VEHICLES (TSV Augusta), prohibits and disclaims responsibility for any such modifications or any other alteration which would adversely affect the safety of the vehicle.

OWNER'S MANUAL

GASOLINE EX1 EFI **TXT FREEDOM**

Starting MODEL YEAR 2020

MANUFACTURER INFORMATION

Textron Specialized Vehicles, Inc.

1451 Marvin Griffin Road.

Augusta, Georgia, USA 30906-3852

1-800-774-3946 Technical Assistance & Warranty

1-888-438-3946 Service Parts

www.ezgo.com

WELCOME

Thank you for purchasing this vehicle. Before driving your new vehicle, read this owner's manual to familiarize yourself with safe driving practices, operation, features, and controls.

This manual contains instructions for minor maintenance only. Information about major repairs can be found in the repair manual. Your dealer has thorough knowledge of your vehicle and wants your total satisfaction with your purchase. We recommend you return to your dealership for all of your service needs during and after the warranty period.

Repair or replacement parts can be purchased from your dealer or through the manufacturer's parts and accessories department.

These are original instructions as defined by 2006/42/EC.

The manufacturer maintains the right to change the design of the vehicle without responsibility to make the changes on units purchased before changes were made. The information in this manual can change without notice.

All information in this owner's manual is based on the latest product information at the time of publication. Due to constant improvements in the design and quality of production components, some discrepancies may be found between your vehicle and the information presented in this publication. The content in this publication is intended for reference use only. The manufacturer is not liable for omissions or inaccuracies. Any reprinting or reuse of the content in this publication, whether whole or in part, is expressly prohibited.

Printed in USA

INTRODUCTION

MANUFACTURER'S INTENDED USE7
 WARRANTY AND REGISTRATION7
 EXHAUST EMISSIONS7
 BATTERY PROLONGED STORAGE8
 BATTERY DISPOSAL8
 VEHICLE IDENTIFICATION NUMBERS8
 REPAIR AND PARTS MANUALS8

SAFETY LABELS

SAFETY LABELS9
 Operation (P/N 664789)9
 Warning (P/N 628019)9
 Governor Warning (P/N 697730)9
 Tow Bar Warning (P/N 625820)10

SAFETY

MAXIMUM CARGO LOAD / MAXIMUM WEIGHT CAPACITY11
 TIRE PRESSURE11
 OPERATOR SAFETY12
 Unauthorized Operation12
 Operating without Instruction13
 Alcohol or Drugs13
 Passenger13
 Before Operating13
 Load Operation13
 Fuel Handling Guidelines13
 Carbon Monoxide Exposure14
 Driving in Reverse14
 Driving a Damaged Vehicle14
 Driving at Maximum Speeds14
 Driving on Pavement14
 Driving on Public Roads14
 Turning14
 Driving Uphill14
 Driving Downhill14
 Stalling on a Hill14
 Tires14
 Slippery Terrain15
 HOT EXHAUST SYSTEMS15
 VEHICLE LIFTING15
 VEHICLE MODIFICATION15
 MAINTENANCE SAFETY15

FEATURES AND CONTROLS

 Steering Wheel17
 Brake Pedal17
 Park Brake17
 Malfunction Indicator Light (MIL)17

TABLE OF CONTENTS

Accelerator Pedal	17
Horn (If Equipped)	17
Cupholder	17
Key Switch	17
Fuel Gauge	18
Direction Selector	18
Choke	18
Fuse Block	18
Hour Meter (if equipped)	18
Seat	18
Hip Restraints	18
Sweater Basket	18
Bag Well	18
Glove Box Compartments and Ball Holders	18
Sun Top (If Equipped)	18
Headlights / Turn Signals	18
Turn Signal Switch	18
Brake and Taillights	18

OPERATION

SAFETY	19
BEFORE INITIAL USE	19
PRE-RIDE INSPECTION	19
ENGINE BREAK-IN	20
ENGINE WARM UP	20
CVT BELT BREAK-IN	20
FUEL	20
ENVIRONMENTAL AWARENESS	21
STARTING AND STOPPING THE ENGINE	21
Starting on a Hill	21
ACCELERATING	21
BRAKING	22
DRIVING PROCEDURE	22
Coasting	22
DRIVING WITH A PASSENGER	22
SLIPPERY SURFACES	23
DRIVING UPHILL	23
TRAVERSING HILLSIDES	23
DRIVING DOWNHILL	23
STALLING ON A HILL	24
DRIVING IN REVERSE	24
PARKING THE VEHICLE	24
BATTERY	24
MAXIMUM WEIGHT CAPACITY	24

VEHICLE MAINTENANCE

MAINTENANCE SAFETY	25
SCHEDULED MAINTENANCE	25
Initial Service Requirements	25

TABLE OF CONTENTS

SCHEDULED MAINTENANCE CHART	26
RECOMMENDED LUBRICANTS AND FLUIDS	28
REPLACEMENT OF MAINTENANCE ITEMS	28
LIFTING THE VEHICLE	29
Lifting Front	29
Lifting Rear	29
Lowering Vehicle	29
VEHICLE CLEANING AND CARE	30
Washing the Vehicle	30
Polishing the Vehicle	30
TIRES	30
Tire Pressure	31
Tire Repair	31
Tire Replacement	31
WHEELS	31
Wheel Removal	31
Wheel Installation	32
LIGHTS	32
Headlight	32
Brake Light	33
FUSE REPLACEMENT	33
FOUR CYCLE ENGINE	33
Engine Specifications	33
CHECK THE OIL LEVEL	34
CHANGE THE ENGINE OIL	35
Remove the Engine Oil	35
Refill Oil	36
AIR INTAKE AND COOLING FINS	36
CVT FILTER	36
REAR AXLE	37
Checking the Transaxle Oil Level	37
Checking the Differential Gear Oil Level	37
AIR FILTER	38
LUBRICATION	38
MALFUNCTION INDICATOR LIGHT (MIL)	39
SPARK PLUG	40
BRAKES	41
Periodic Brake Test	41
BATTERY	41
Battery Cleaning	42
Battery Charging	42
Discharged Battery	43
Battery Disposal	43
Battery Storage	43
TRANSPORTING THE VEHICLE	43
Hauling the Vehicle	43
Towing the Vehicle	44
VEHICLE STORAGE	44

TABLE OF CONTENTS

Remove from Storage45

SPECIFICATIONS

TXT FREEDOM - VEHICLE SPECIFICATIONS47

INTRODUCTION

The following symbols appear throughout this manual and on vehicle labels. Your safety is involved when these symbols are used. Become familiar with their meanings before reading the manual.



DANGER indicates a hazardous situation that, if not avoided, will result in death or serious injury.



WARNING indicates a hazardous situation that, if not avoided, could result in death or serious injury.



CAUTION indicates a hazardous situation that, if not avoided, could result in minor or moderate injury.



The **PROHIBITION SAFETY SIGN** indicates an action **NOT** to take in order to avoid a hazard.



The **MANDATORY ACTION SIGN** indicates an action that **NEEDS** to be taken to avoid a hazard.



WARNING Failure to comply with the warnings in this manual can result in severe injury or death.



WARNING Read this entire manual carefully before operating this vehicle. Do not attempt to operate this vehicle until you have thorough knowledge of the controls and features.



WARNING Regular inspections and maintenance, along with good operating techniques, will help ensure your safe enjoyment of the capabilities and reliability of this vehicle.

This vehicle was designed and manufactured in the United States of America (USA). The standards and specifications in the following information originate in the USA unless otherwise indicated.

When servicing engines, all adjustments and replacement components must be per the original vehicle specifications to maintain the USA Federal and State emission certification applicable at the time of manufacture.

MANUFACTURER'S INTENDED USE

This vehicle is designed and manufactured for off road use only. Use on public streets, roads, or highways is illegal in most areas and increases the risk of an accident involving other vehicles and people. This vehicle does not meet FMVSS (Federal Motor Vehicle Safety Standards) for public street, road, or highway use.

Check all laws and regulations before choosing an area to operate your vehicle.

WARRANTY AND REGISTRATION

A literature package is included with the purchase of a new vehicle. The package contains the following items:

- Vehicle Warranty Statement
- EPA and California Emission Control Warranty Statement (EVAP emission)
- Emission Control System Warranty Statement (Engine emission)
- Vehicle Registration Card (registration can also be done at www.ezgo.com)

Use Original Equipment Manufacturer (OEM) approved parts to keep the vehicle warranty effective.

Tampering with or adjusting the governor to allow the vehicle to operate above factory specifications will void the vehicle warranty.

All information, including coverage, limitations, exclusions and how to obtain warranty service is included in the literature package with the purchase of the vehicle. It can also be obtained from an authorized *E-Z-GO* dealer.

EXHAUST EMISSIONS

The exhaust emissions of this vehicle's engine complies with regulations set forth by the Environmental Protection Agency (EPA) of the United States of America (USA) at time of manufacture. Significant fines could result from modifications or tampering with the engine, fuel, ignition, or air intake systems. Refer to the warranty statements provided with the vehicle for all information.

INTRODUCTION

BATTERY PROLONGED STORAGE

Batteries discharge over time. The rate of discharge changes according to the ambient temperature as well as the age and condition of the batteries.

Completely charged batteries will not freeze in winter temperatures unless the temperature is less than -75°F (-60°C).

BATTERY DISPOSAL

Lead-acid batteries are recyclable. Return discarded batteries to a distributor, manufacturer, or lead smelter for recycling. For neutralized spills, put any residue in acid-resistant containers with absorbent material such as sand. Dispose of the container in accordance with local, state, and federal regulations for acid and lead compounds. Contact local or state environmental authorized people for the disposal information.

VEHICLE IDENTIFICATION NUMBERS

PART A

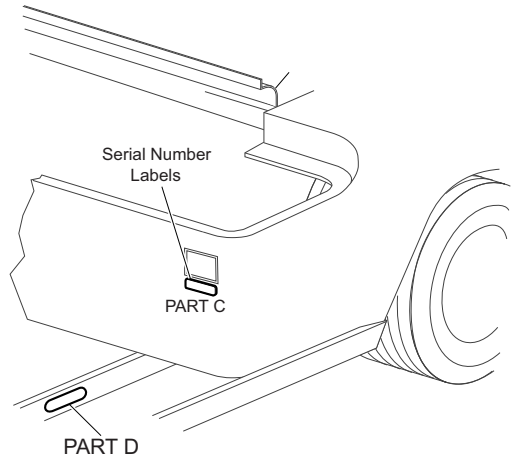
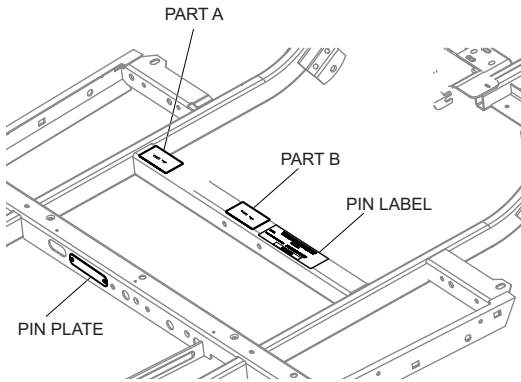
[]	
MODEL []	
DATE CODE []	
SERIAL No. []	
Bar Code []	GVW Lb / kg Lb / kg W Batt Nom Power Hp / kw

PART B

Rated Capacity W/Operator lb/kg	/	System voltage	V
Lb/kg W/O Batt	/	Max Draw bar lb/kg	/
Max Batt lb/kg	/		
[]			

SERIAL No. []
Bar Code []

PART C and D



Record the vehicle identification numbers in the spaces provided below. These identification numbers are required when ordering parts from **E-Z-GO**.

Vehicle Model Number: _____

Frame PIN: _____

REPAIR AND PARTS MANUALS

The following manuals can be purchased through your authorized **E-Z-GO** dealer:

- repair manual
- parts manual

SAFETY LABELS

SAFETY LABELS

Safety and warning labels are on the vehicle for your protection. Read carefully and comply with the instructions on the labels. If any label shown in this manual is different from the label on your vehicle, always follow the instructions on the vehicle label.

If a label comes off or becomes illegible, contact your dealer for a replacement. The part number is provided in this manual, printed on the label, or can be obtained from your dealer.

Operation (P/N 664789)

Located on the steering wheel.

WARNING READ AND OBEY THE FOLLOWING WARNINGS TO DECREASE RISK OF SEVERE INJURY OR DEATH. 664789

Pressing the accelerator pedal releases the parking brake even when the key is in the OFF position; the vehicle may move when the accelerator pedal is pressed. Unintentional movement of the vehicle can cause injury or death. Do not allow anyone to stand directly in front or behind the vehicle. • Driver must have a valid driver's license. • Do not operate vehicle until all occupants are properly seated with their backs against the seat and feet flat on the floor. • Do not leave children unattended or allow them to play on a parked vehicle.

SAFETY INSTRUCTIONS

BEFORE OPERATING

- READ the owner's manual and all warning labels. Contact an authorized dealer or go to the manufacturer's website for replacement manual or labels. • This vehicle is equipped for personal use in most communities; however, state law or local rules may require additional equipment in your community.

SAFE OPERATION & PARKING

- Turn key to ON, select Forward or Reverse, release the parking brake (if required), and slowly press accelerator pedal. • Always bring vehicle to a complete stop before shifting the direction selector. • Always remain seated in a moving vehicle. • Operate from the driver's seat only. • Never drink alcohol or use drugs or medications before or during operation of the vehicle. • ALWAYS engage the parking brake and remove the key before leaving the vehicle. In an electric vehicle, put the direction selector in OFF or Neutral; in a gasoline vehicle, put the selector in Forward.

MAINTENANCE & TOWING

- This vehicle requires regularly scheduled maintenance (see the periodic service schedule in owner's manual). • ONLY qualified personnel should service this vehicle. • Vehicle is not to be towed; consult owner's manual for transport instructions.

Warning (P/N 628019)

Located on the front of the cup holder.

WARNING Failure to follow these instructions can result in SERIOUS INJURY or DEATH

Except where PERMITTED BY LAW: NEVER drive on public roads. Drivers must possess a valid driver's license in accordance with local state law. AVOID FALLS from the vehicle: Do not start moving until all occupants are PROPERLY SEATED and HOLDING ON. • KEEP entire body INSIDE VEHICLE while moving. Reduce the RISK OF ACCIDENTS: Always DRIVE SLOWLY in congested areas, on wet or loose terrain, and when backing up. • DRIVE SLOWLY when turning and AVOID sudden stops. • ALWAYS drive straight up and down slopes. • Do not coast, use BRAKE WHEN GOING DOWN A SLOPE. • NEVER drive this vehicle under the influence of drugs or alcohol.

This vehicle is NOT A TOY: Drive responsibly. • NEVER leave children unattended or allow children to play on the vehicle. • NEVER leave the key in the vehicle when parked. DO NOT OVERLOAD this vehicle: NEVER carry more than 2 occupants on each bench seat. • Do not exceed vehicle WEIGHT CAPACITY (see Owner's Guide). DO NOT MODIFY this vehicle: NEVER alter this vehicle to increase travel speeds above factory specifications. • ONLY authorized E-Z-GO dealers should alter the vehicle using approved parts. • Alterations not approved or tested by E-Z-GO can create unsafe conditions and increase your chance of having an accident. 628019

Governor Warning (P/N 697730)

Located on the governor guard.

WARNING DO NOT TAMPER WITH OR ATTEMPT TO CHANGE THE ADJUSTMENT OF THE GOVERNOR. GOVERNOR TAMPERING CAN RESULT IN SERIOUS PERSONAL INJURY AND WILL VOID THE VEHICLE WARRANTY. 697730

SAFETY

Tow Bar Warning (P/N 625820)

Located on the top of the tow bar.



This device is **ONLY** to be used for towing E-Z-GO vehicles. **NEVER** tow other vehicles or equipment. **READ** Owner's Manual before towing. **FULLY ENGAGE** coupling in bag well and safety pin at wheel spindle. **NEVER** tow more than 1 vehicle at one time. **DRIVE SLOWLY** and never tow over rough or unsafe terrain. **NO RIDERS** in towed vehicle. **MONTHLY INSPECTION:** tow bar pins, attaching hardware, and front frame attachment of towed cars. Replace worn or damaged parts. **CHECK** alignment of wheels on towed cars.

625820

SAFETY

For questions about the vehicle or the material in this manual, see the contact information on page 1 or the back of this publication.

Certain replacement parts can be used independently and/or in combination with other accessories to modify a vehicle to permit the vehicle to operate at or in excess of 20 mph. When a vehicle is modified in any way by the Distributor, Dealer or customer to operate at or in excess of 20 mph on public streets or roads, UNDER FEDERAL LAW the modified product will be a Low Speed Vehicle (LSV) subject to the strictures and requirements of Federal Motor Vehicle Safety Standard 571.500. In these instances, pursuant to Federal law the Distributor or Dealer MUST equip the product with headlights, rear lights, turn signals, seat belts, top, horn and all other modifications for LSVs mandated in FMVSS 571.500, and affix a Vehicle Identification Number to the product in accordance with the requirements of FMVSS 571.565. Pursuant to FMVSS 571.500, and in accordance with the State laws applicable in the places of sale and use of the product, the Distributor, Dealer or customer modifying the vehicle also will be the Final Vehicle Manufacturer for the LSV, and required to title or register the vehicle as mandated by State law.

Information on FMVSS 571.500 is found at Title 49 of the Code of Federal Regulations, section 571.500. For information on-line, go to www.ecfr.gov.

E-Z-GO will NOT approve Distributor, Dealer or customer changes that change a vehicle into a Low Speed Vehicle (LSV).

This vehicle meets the current applicable standard for safety and performance requirements.

MAXIMUM CARGO LOAD / MAXIMUM WEIGHT CAPACITY

WARNING Exceeding the weight capacities can cause the loss of vehicle control and possible injury or death.

Maximum Vehicle Weight Capacity	800 lb (363 kg)
---------------------------------	-----------------

- Do not exceed the maximum vehicle weight capacity (includes weight of operator, passenger, cargo, and accessories).

TIRE PRESSURE

WARNING Improper tire pressure or uneven tire pressure can cause the loss of vehicle control and possible injury or death.

Maintaining the correct tire inflation pressure is essential for safe vehicle operation. The inflation pressure can vary within the recommended range to suit the condition of the terrain.

TIRE PRESSURE RANGE	TERRAIN CONDITIONS	RECOMMENDATION
18 - 22 psi (124 - 152 kPa)	Hard surfaces or pavement	Inflate to higher pressure within the range; never exceed maximum pressure indicated.
	Soft terrain or turf	Inflate to lower pressure within the range to reduce potential damage to the terrain or turf.

SAFETY

OPERATOR SAFETY

Safe and responsible use of this vehicle is necessary to prevent dangerous conditions for the operator, passengers, and other people in the area of operation. This section of the manual provides information on the safe operation of the vehicle. Make sure to read, understand, and comply with all of this information to decrease the risk of personal injury or death.

WARNING

Serious injury or death can occur if you do not follow the instructions and procedures shown in this owner's manual.

- Read this entire manual and all product labels carefully. Follow the safety information and operating procedures described.
- Operate the vehicle responsibly to prevent dangerous conditions for the operator, passengers and other people in the area of operation.
- Operate the vehicle responsibly and keep the vehicle in safe condition of operation.
- A damaged vehicle or a vehicle that is not functioning properly is dangerous and must not be operated until repairs are made.
- Do not carry a passenger until you have a minimum of two hours driving experience on this vehicle.
- Keep feet, legs, hands, and arms inside the vehicle at all times.
- The driver must keep both hands on the steering wheel and both feet on the floor or pedals.
- Inspect the vehicle before each use to make sure it is in safe operating condition. Perform the pre-ride inspection described in this manual. See *PRE-RIDE INSPECTION* on page 19.
- Always have the vehicle checked by an authorized dealer if it is involved in an accident.
- Always put the direction selector in forward (F) and engage the parking brake before exiting the vehicle.
- Remove the key from the key switch when the vehicle is not in use to prevent accidental starting, unauthorized use by someone below the age of 16, or someone without a driver's license and proper training.
- Drive the vehicle at appropriate speeds for the terrain and conditions. Be aware of environmental conditions that change the terrain and your ability to control the vehicle.
- Do not drive on excessively steep hills. Evaluate the terrain before descending a hill. Drive slowly and deliberately. Use the brake to limit speed and maintain control. Sudden braking or turning can cause the loss of vehicle control. Drive straight down the hill. Do not drive across the hill.
- Operate only in approved areas. Follow all applicable safety rules for the area.
- Avoid driving on terrain that is too rough for your vehicle's capabilities and your driving skills.
- Before you drive in the reverse direction, make sure the area behind the vehicle is clear. Accelerate slowly and avoid making sharp turns.
- Make sure the direction selector is in the correct position before pressing the accelerator pedal.
- Decrease the speed before and during turns.
- Decrease the speed when driving on wet or slippery surfaces.
- Bring the vehicle to a complete stop before moving the direction selector.
- Do not exceed the cargo or vehicle weight capacities. Do not exceed the occupant capacity. See *SPECIFICATIONS* on page 47.
- If there is a risk of lightning, leave the vehicle and look for a safe location to wait until the lightning has stopped.

Additional information about safety is included throughout this manual or can be obtained from your dealer.

WARNING

Failure to operate this vehicle as instructed can cause collision, loss of control, or roll-over resulting in severe injury or death. Follow all safety warnings in this section of the owner's manual. See the OPERATION section of the owner's manual for operating procedures and additional safety information.

Unauthorized Operation



This vehicle is for adult use only. Any person below the age of 16 is not permitted to operate the vehicle.

Any person who does not have a valid driver's license is not permitted to operate the vehicle.

Any person who is below the height of 59 in. (150 cm) is not permitted to operate the vehicle.

Leaving the keys in the key switch allows unauthorized operation of the vehicle by someone under 16 years of age, an unlicensed driver, or someone who does not meet the height requirement. Always remove the key from the key switch when the vehicle is not in operation.

Operating without Instruction



Operation of this vehicle without proper instruction increases the risk of an accident. The operator must understand how to operate the vehicle correctly in different situations and on different types of terrain.

All operators must read, understand, and comply with the owner's manual and all warning and instruction labels before operating the vehicle.

Alcohol or Drugs



Operation of the vehicle during or after consuming alcohol or drugs can adversely affect operator judgment, reaction time, balance, and perception.

Never drink alcohol or use drugs or medications before or during operation of the vehicle.

Passenger

All passengers must be at least 59 in. (150 cm) tall. Passengers must be able to sit with their back against the seat, and both feet on the floor. See *Driving with a Passenger* on page 22..

Before Operating

Perform the *PRE-RIDE INSPECTION* on page 19 before each use to make sure the vehicle is in safe operating condition. Failure to inspect and confirm that the vehicle is safe to operate increases the risk of an accident.

Follow all inspection and maintenance procedures and schedules described in this owner's manual. See *SCHEDULED MAINTENANCE* on page 25.

Load Operation

The weight of cargo and occupants affects vehicle operation. Carefully calculate how the vehicle is loaded and how to safely operate it. Follow the instructions in this manual for loading guidelines and tire pressure.

Do not exceed weight capacities specified for your vehicle. Capacities are listed in *Maximum Cargo Load / Maximum Weight Capacity* on page 11 of this manual. As passenger weight increases, cargo weight needs to be adjusted to ensure the maximum vehicle weight capacity is not exceeded.

Tire pressure must be adjusted to accommodate the load being carried. See *Tire Pressure* on page 11 for pressure specifications.

Verify tire pressure, and drive slowly and carefully to maintain control of the vehicle if driving under any of the following conditions:

- passenger and/or cargo exceeds half the maximum weight capacity
- driving over obstacles
- towing
- climbing a hill

Fuel Handling Guidelines

Gasoline is flammable and can be explosive in some conditions. Use the following guidelines when handling fuel:

- Always use caution when handling gasoline.
- Refuel in a well-ventilated area.
- Turn off the engine before refueling.
- Use an approved gasoline container to store fuel.
- Remove portable gasoline containers from the vehicle and place on the ground before filling to prevent ignition caused by electrical static discharge.
- Do not smoke or allow open flames or sparks in or near the area where refueling is done or where gasoline is stored.
- Do not overfill the tank. Do not fill the tank neck.
- If any gasoline contacts skin, immediately wash with soap and water. If any gasoline gets on clothing, change immediately.

For refueling procedure, refer to *Fuel* on page 20.

SAFETY

Carbon Monoxide Exposure

Carbon monoxide is an odorless gas that is formed as a natural part of the combustion of hydrocarbon fuels.

Carbon monoxide is poisonous, and can cause loss of consciousness or death in a short period of time. Never start the engine or allow it to run in an enclosed area.

If you experience any of the following symptoms, stop the engine and get fresh air immediately:

- dizziness
- intense headache
- weakness and sleepiness
- vomiting
- muscular twitching
- throbbing in temples

Operate this vehicle outdoors or in well-ventilated areas only.

Driving in Reverse

Make sure the area behind the vehicle is clear before operating in reverse. After making sure it is clear and safe to operate in reverse, accelerate slowly. Avoid making sharp turns in reverse. See *Driving in Reverse* on page 24.

Driving a Damaged Vehicle

Driving a damaged vehicle is not safe.

If the vehicle has been involved in any type of accident, have it inspected by a qualified service dealer to verify that it is safe for operation.

Driving at Maximum Speeds

Maximum speed operation increases the risk of loss of control. Always drive at a speed that is appropriate for the terrain, visibility, operating conditions, and your skill and experience level. Use the brake to control speed and maintain control of the vehicle.

Driving on Pavement

Driving the vehicle on paved surfaces can affect handling characteristics and increase tire wear.

If possible, avoid driving on paved surfaces. If unavoidable, drive slowly, travel short distances, and avoid sudden turns or stops.

Driving on Public Roads

Driving this vehicle on public streets, roads or highways could result in a collision with another vehicle. Never drive this vehicle on any public street, road, or highway, including dirt and gravel roads, unless they are designated for off road use. Most areas prohibit the operation of this vehicle on public streets, roads, or highways and can result in traffic violations and fines.

Turning

Improper or careless turning can cause loss of traction, loss of control, accident, or rollover. Do not turn quickly or at sharp angles. Do not turn at high speeds. Practice turning at slow speeds before attempting to turn at faster speeds.

Driving Uphill

Do not climb hills that are too steep for the vehicle or your driving abilities. Loss of vehicle control or rollover can result from climbing hills incorrectly. See *Driving Uphill* on page 23.

Driving Downhill

Inspect the terrain before descending a hill. Avoid driving across hills. Use the brake to limit speed and maintain control. Loss of vehicle control or rollover can result from driving downhill incorrectly. See *Driving Downhill* on page 23.

Stalling on a Hill

A rollover can result from stalling or rolling backward while climbing a hill. Drive uphill at a constant speed. See procedure on page 24 for maintaining control of your vehicle if it stalls on a hill.

Tires

Operating the vehicle with the incorrect tires or with the incorrect or uneven tire pressure can cause loss of control or an accident. Always use the size and type of tires specified for the vehicle. See Vehicle Specification for proper tire type and size. Always maintain the correct tire pressures as specified in *Tire Pressure* on page 11.

Slippery Terrain

Driving on rough, wet, or loose terrain increases the risk of loss of traction or control and accident or rollover. Drive slowly and use the correct turning procedures when operating on slippery surfaces.

Tires that have lost traction and then regain traction suddenly can cause loss of vehicle control or rollover.

See *Slippery Surfaces* on page 23.

HOT EXHAUST SYSTEMS

Exhaust system components are very hot during and after use. To avoid burn injuries, do not touch hot exhaust system components. Hot components can also cause a fire. Keep combustible materials away from the exhaust system. Check for buildup around the exhaust system after driving through high and dry grass.

VEHICLE LIFTING

The vehicle must be on a firm and level surface for lifting. Remain constantly aware that the vehicle is not stable during the lifting process. Do not get under a vehicle until you verify that it is stable on the jack stands. Never get under a vehicle while it is on a jack only. Put wheel chocks in front of and behind the wheels that are not being lifted. Do not allow anyone to remain or get on the vehicle at any time during the lifting process.

Read and comply with all warnings and follow the lifting procedures described on page 29.

VEHICLE MODIFICATION

Do not install any accessory not approved by *E-Z-GO*. Do not modify the vehicle to increase the speed or power. Any modifications or installation of accessories not approved by *E-Z-GO* can create a safety hazard and increase the risk of injury.

The warranty will be terminated if the vehicle is modified to increase vehicle speed or power.

The warranty may be terminated if the original (or equivalent) replacement parts are not installed on the vehicle.

The addition of some accessories can change the handling characteristics of the vehicle. Use only *E-Z-GO* approved accessories, and familiarize yourself with their function and effect on the vehicle.

MAINTENANCE SAFETY

Routine and scheduled maintenance of this vehicle is necessary to keep the vehicle in safe and reliable condition. This section of the manual provides safety information for performing maintenance on your vehicle. Make sure to read, understand, and comply with all of this information to decrease the risk of personal injury or death.



WARNING

Serious injury or death can occur if the instructions and procedures shown in this owner's manual are not followed.

- Read this entire manual and all product labels carefully. Follow the procedures and comply with the safety information in this manual while performing vehicle service or maintenance.
- Use the tools shown in the tool list and wear the specified safety equipment when performing vehicle service or maintenance.
- Remove all jewelry before servicing the vehicle.
- Do not allow loose clothing or hair to contact the moving parts.
- Do not touch hot objects.
- The drive wheels must be lifted and supported on jack stands before performing any service to the power-train while the motor is in operation.
- Use wheel chocks and support the vehicle on jack stands. NEVER get under a vehicle that is supported by a jack. Lift the vehicle following the instructions. See *LIFTING THE VEHICLE* on page 29.
 - When servicing the vehicle, always wear eye protection. Be careful when working around batteries, using solvents, or compressed air.
 - Use insulated tools within the battery area to prevent sparks or battery explosion.
 - To prevent the risk of battery explosion, keep all flammable materials, open flames or sparks away from the battery.
- Hydrogen gas is produced as a battery is charged. Charge the battery only in well-ventilated areas.
- Maintain constant awareness that some components are heavy, spring loaded, corrosive, explosive, can cause high amperage, or get extremely hot. Battery acid and hydrogen gas can cause bodily injury. Keep your hands, face, feet, and body away from any area that can expose them to injury in the event that an unexpected situation occurs.
- After making repairs or performing maintenance, test the vehicle in a safe area that is free from vehicle and person traffic.



FEATURES AND CONTROLS

NOTICE: If the vehicle is equipped with factory installed custom accessories, some accessories remain operational with the key switch in the 'OFF' position.

Steering Wheel

The steering wheel, (1) located in front of the driver seat, is used to steer the vehicle.

Brake Pedal

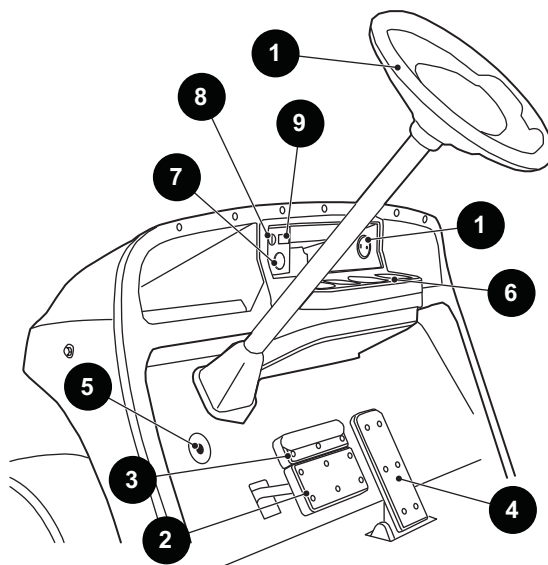
The brake pedal is located on the floor to the left of the accelerator pedal (4). The brake pedal is a combination service brake (2) and park brake (3). To activate the brake, press the lower part of the pedal to slow or stop the vehicle.

Park Brake

The foot operated park brake (3) is located along the top of the brake pedal. To engage the park brake, push down on the upper section of the pedal until it locks in place. The park brake will release when the lower part of the brake pedal is pressed.

Malfunction Indicator Light (MIL)

The MIL (9) is located on the instrument panel next to the key switch. The MIL can be used to diagnose a problem and to determine whether a technician will be required to service the vehicle. See *MALFUNCTION INDICATOR LIGHT (MIL)* on page 39.



Accelerator Pedal

⚠ DANGER Unintentional movement of the accelerator pedal may cause the vehicle to move which could result in severe injury or death.

With the key switch in the ON position, pressing the accelerator pedal (4) starts the engine. When the pedal is released, the engine will stop. To stop the vehicle more quickly, press the brake pedal.

Horn (If Equipped)

The horn button (5) is located on the driver side floorboard. Pressing the button will sound the vehicle's horn.

Cupholder

The vehicle has a center cup holder (6) that will accommodate four beverage containers.

Key Switch

⚠ CAUTION To reduce the possibility of component damage, the vehicle must be stopped before moving the key switch from one position to another.

Located on the instrument panel, the key switch (8) controls the electrical system of the vehicle.

The switch has three positions:

- OFF and ON, and LIGHTS

To prevent inadvertent operation of the vehicle when left unattended, the key switch should be turned to the 'OFF' position and the key should be removed from the key switch.

NOTICE: If the vehicle is equipped with factory installed custom accessories, some accessories remain operational with the key switch in the 'OFF' position.

FEATURES AND CONTROLS

Fuel Gauge

The fuel gauge (7) indicates the amount of gasoline in the fuel tank. 'F' indicates a full tank and 'E' indicates an empty fuel tank.

Direction Selector



To reduce the possibility of component damage, the vehicle must be completely stopped before changing positions of the direction selector.

Located on the seat wrap panel, the direction selector lever (12) permits the selection of either 'F' (forward), or 'R' (reverse). The vehicle should be left in 'F' when unattended.

Choke

This vehicle is equipped with Electronic Fuel Injection and does not require a choke.

Fuse Block

The fuse block is used to provide electrical protection to some of the electrical components and vehicle accessories. The fuse block is located under the seat.

Hour Meter (if equipped)

The hour meter (12) is located under the seat and mounted to the front of the seat wrap. The hour meter shows the total run time for the life of the vehicle.

Seat

The bench seat is designed for two occupants.

Hip Restraints

The hip restraints are designed to help keep the occupants properly positioned in the event of sudden vehicle position changes.

Sweater Basket

The sweater basket is an open basket behind the seat back for carrying sweaters, jackets or small packages.

Bag Well

Large bag well with straps to secure golf bags.

Glove Box Compartments and Ball Holders

Glove a glove box compartment with golf ball holders on each side of the instrument panel to provide storage space for small items.

Sun Top (If Equipped)

The sun top offers some protection from sun or light rain.

Headlights / Turn Signals

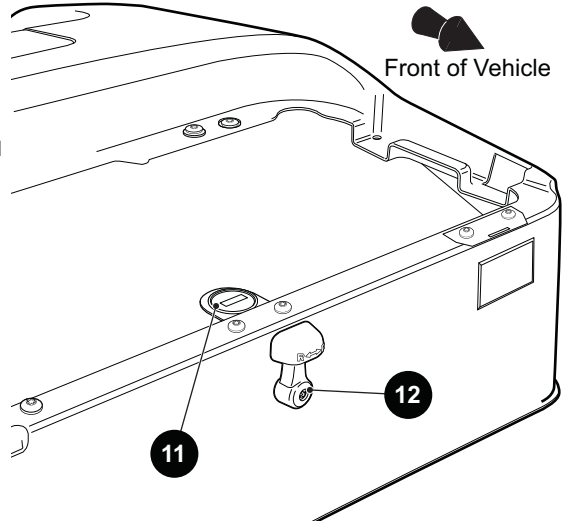
The combination headlight/turn signal assemblies (19) are located on the front cowl.

Turn Signal Switch

The turn signal switch is located on the steering column and activates the turn signals when moved up or down.

Brake and Taillights

The brake and taillights are located on the rear fenders.



OPERATION

SAFETY



Failure to operate the vehicle correctly can result in a collision, loss of control, accident or rollover, and cause serious injury or death. Follow all operation procedures in this section of the manual. Read and comply with all safety warnings in the safety section of this owner's manual.

BEFORE INITIAL USE

To prepare the new vehicle for operation, complete the following:

- Remove the protective plastic from the seats.
- Check for possible leaks that may have developed during shipment of the vehicle.
- Charge the battery.
- Fill the tank with the correct fuel.
- Perform the following pre-ride inspection.

PRE-RIDE INSPECTION

Inspect and verify that the vehicle is in safe operating condition before each use to decrease the risk of an accident. Check the items in the table to help ensure safe and reliable operation.

Item	Check	Page
Brake system/pedal travel	Check for proper operation.	41
Parking brake	Ensure vehicle does not roll when the parking brake is engaged.	
Front suspension	Inspect. Lubricate if necessary. Check for loose or missing hardware.	
Rear suspension	Inspect. Lubricate if necessary. Check for loose or missing hardware.	
Steering	Check for smooth and free operation.	
Tires	Check condition and pressure.	30
Wheel hardware	Check for loose or missing hardware.	
Frame hardware	Check for loose or missing hardware.	
Fuel and engine oil	Check for correct levels.	28
Fluid leakage	Inspect vehicle for leaks.	
Switches	Check operation.	
Reverse warning alarm	Check operation.	
Air filter	Inspect; clean or replace if necessary.	38
Headlights	Check operation.	32
Brake light / taillights	Check operation.	32

OPERATION

ENGINE BREAK-IN

Correct operation of the engine during the break-in period is essential to the performance, reliability, and life of the engine.

The engine break-in period is:

- the first 25 operating hours of a new engine
- the first 25 operating hours of an engine that has been completely disassembled

During these break-in periods, operate the vehicle in the following manner:

- Avoid high engine speeds.
- Avoid long operating times at low engine speed.
- Avoid long operating times at the same engine speed.
- Avoid long operating times with a full load.
- Vary the engine speed during operation.
- Apply quick bursts of acceleration after the engine has warmed up.

ENGINE WARM UP

The engine break in procedure should be followed for the first few minutes of the vehicle operation.

CVT BELT BREAK-IN

The CVT belt break-in period is the first hour of operation on each new belt.

During the CVT belt break-in period, follow the same guidelines as described for engine break-in operation. See *Engine Break-In* on page 20.

FUEL

Refer to *Fuel Handling Guidelines* on page 13 for more information regarding handling and storage of fuel.



WARNING

Refuel only in well-ventilated areas.

Do not add fuel near open flame or electrical items that can cause a spark.



Wear eye protection to protect from splashed fuel and fuel vapors.



Never use cigarettes in or near the area where refueling is done or fuel is stored.

Inspect the fuel cap, tank, and other components for leaks or damage that can cause a hazardous condition.

Do not overfill the tank. Do not fill the tank neck.

Never operate the vehicle with the fuel tank cap removed.

NOTICE: Oxygenated or reformulated gasoline, is mixed with alcohols or ethers. Excessive amounts of these blends can damage the fuel system or cause performance problems. If any performance problems occur, use gasoline with a lower percentage of alcohol or ether.

Use clean, regular grade unleaded fuel. An Ethanol blend of no more than 10% is acceptable.

1. Remove the fuel refill cap that is located under the front seat.
2. Fill the tank with clean, automotive grade gasoline. See the following chart for requirements.

Fuel		NOTES
Grade requirement	Regular 87 octane	High altitude or heavy use/load applications can benefit from higher octane gasoline.
Ethanol content	10% maximum permissible	Exceeding the maximum permissible ethanol concentration can deteriorate the engine fuel system and starting performance.
Methanol content	Not permissible	The use of fuels containing methanol is not permissible.

3. Replace the cap when refueling is complete.

ENVIRONMENTAL AWARENESS



WARNING

When driving the vehicle, be careful of potential environmental hazards like steep slopes, rocks, tree branches, etc. that could cause an incident that could result in vehicle damage, personal injury or death.



CAUTION

There is a risk of fire when the vehicle is operated near combustible material.

Always be respectful of the environment.

Respect all wildlife and their habitat.

Respect private property and comply with all local laws and regulations governing the use of light duty utility vehicles.

Make sure you are permitted by property owners to operate the vehicle on their property.

STARTING AND STOPPING THE ENGINE



WARNING

Unintentional roll-back of the vehicle could cause severe personal injury or vehicle damage. To reduce the possibility of vehicle roll-back, keep the brake fully pressed until the engine has started.

NOTICE: Avoid full throttle starts and fast acceleration until the engine has warmed up.

Always start the engine outdoors or in a well-ventilated space.

1. Sit in the driver's seat.
2. Press and hold the brake pedal.
3. Insert the key and turn the key switch to the ON position.
4. Move the direction selector to the appropriate position.

NOTICE: When the direction selector is moved to the reverse position, a warning alarm will activate to indicate that the vehicle is ready to run in reverse.

5. Slowly press the accelerator pedal to start the engine.
6. When the accelerator pedal is released, the ignition circuit is de-energized and the engine stops. To stop the vehicle more quickly, press the brake pedal.
7. Engage the parking brake, turn the key switch to the OFF position, and remove the key from the switch before exiting the vehicle.

Starting on a Hill



WARNING

Unintentional roll-back of the vehicle could cause severe personal injury or vehicle damage. To reduce the possibility of vehicle roll-back, keep the brake fully pressed until the engine has started.

Turn the key switch to the OFF position and remove the ignition key when exiting the vehicle to prevent accidental starting or unauthorized use.



CAUTION

To decrease the risk of permanent damage to the drive train, do not allow roll-back when you start the vehicle on a hill. Do not use the accelerator and engine to hold the vehicle at a stop on a hill.

1. Press the brake pedal with your left foot when releasing the parking brake. Keep pressure on the pedal to prevent the vehicle from rolling back.
2. Press the accelerator pedal with your right foot as you release the brake pedal.
3. Press the accelerator pedal with gradual and steady pressure until the vehicle reaches the desired speed.

ACCELERATING



WARNING

Accidental movement of the accelerator pedal can cause the vehicle to suddenly move and cause severe injury or death.

Make sure the key is in the OFF position and the parking brake is engaged any time the vehicle is parked.

Apply slow, steady pressure to the accelerator pedal to increase vehicle speed. When you release the accelerator pedal, the engine will stop running.

OPERATION

NOTICE: *On mechanical brake vehicles, if the key switch is in the ON position and the parking brake is engaged, the brake releases when you press the accelerator pedal and can cause the vehicle to move suddenly. This is a feature to make sure the vehicle is not driven with the parking brake engaged. Pressing the accelerator pedal is not the recommended method to release the parking brake.*

BRAKING

WARNING

When carrying cargo, the weight of the load will increase the braking distance required to slow or stop the vehicle. Not allowing for increased braking distance under load can cause an accident or injury.

1. Release the accelerator pedal completely.
2. Press the brake pedal to slow the vehicle speed or stop the vehicle completely.
3. Practice slowing and stopping using the brake to become familiar with the controls.

DRIVING PROCEDURE

1. Perform the pre-ride inspection. See page 19.
2. Sit in the driver's seat.
3. Check the surroundings and determine the path of travel.
4. Release the parking brake.
5. Insert the key and turn the key switch to the ON position.
6. Move the direction selector to the appropriate position.
7. With both hands on the steering wheel, release the brake and immediately start to apply gradual and steady pressure to the accelerator pedal.
8. Practice maneuvering the vehicle using the accelerator and brake pedals. Drive slowly and cautiously until you are comfortable with the controls.
9. Do not drive with a passenger until you have at least two hours of experience driving this vehicle.

Coasting

WARNING

Vehicle speed can increase quickly when driving downhill. Allowing the vehicle to coast downhill at high speeds can cause a loss of control and result in severe injury or death. Limit your vehicle speed by pressing the brake.

Do not allow the vehicle to coast at speeds that are above the maximum recommended speed. Apply constant brake pressure when descending a hill to control the speed of the vehicle.

DRIVING WITH A PASSENGER

- All passengers must be at least 59 in. (150 cm) tall. Passengers must be able to sit with their back against the seat and both feet on the floor.
- Do not allow more than one passenger in the vehicle.
- Do not allow a passenger to ride anywhere on the vehicle except the passenger seat.
- Travel at speeds appropriate for your skills, your passenger's skills, and the operating conditions. Avoid unexpected or aggressive maneuvers that could cause discomfort or injury to the passenger.
- Handling characteristics can change with the added weight of a passenger. Allow more time and distance for braking.

SLIPPERY SURFACES

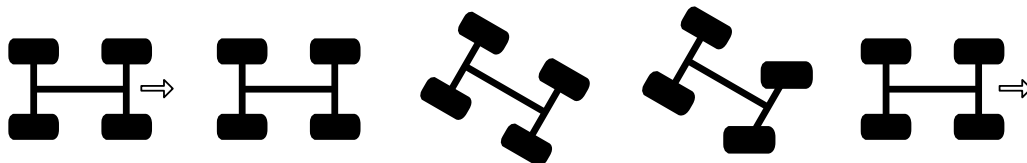


WARNING

Skidding or sliding can cause a loss of control. Skidding or sliding can cause a rollover if tires have lost traction, then regain traction suddenly. When operating on slippery surfaces, travel at reduced speed to help maintain control of the vehicle.

When operating in conditions such as ice, water, muddy trails, loose gravel or freezing temperatures, follow these guidelines:

- Do not operate on excessively rough, slippery, or loose terrain.
- Slow down before entering potentially slippery areas.
- Maintain a high level of alertness, carefully evaluate the path of travel, and avoid quick, sharp turns.
- Correct a skid by turning the steering wheel in the direction of the skid. *Never apply the brakes during a skid.*



DRIVING UPHILL

When driving up a hill, follow these guidelines:

- Drive straight up the hill.
- Avoid excessively steep hills.
- Keep both feet on the floor or a pedal.
- Check the terrain before driving up a hill. Do not try to climb hills that have excessively slippery or loose surfaces.
- Drive at a steady rate of acceleration and speed.
- Do not drive over the crest of a hill at high speeds. An obstacle, sharp drop, another person, or another vehicle could be on the other side of the hill.
- Do not attempt to drive up a hill that is beyond your skill level.

TRAVERSING HILLSIDES

Traversing a hillside is not recommended. Improper procedure can cause a loss of control or a rollover. Avoid crossing the side of a hill unless absolutely necessary. If traversing a hillside is unavoidable, check the terrain and determine if it can be accomplished safely. Do not proceed if the terrain is beyond the vehicle or driver's ability.

If traversing a hillside is unavoidable, follow these guidelines:

- Drive slowly.
- Use extreme caution.
- Avoid crossing the side of a hill that has a slippery surface.
- Avoid crossing the side of a steep hill.
- When traversing a hillside that has soft terrain, it may be necessary to steer slightly uphill to keep the vehicle traveling in a straight line.
- If you feel that you are losing control of the vehicle, steer downhill if possible to regain control.

DRIVING DOWNHILL



WARNING

When carrying cargo or towing a trailer, the weight of the load will increase the braking distance required to slow or stop the vehicle. Not allowing for increased braking distance under a load can cause an accident or injury.

When driving down a hill, follow these guidelines:

- Avoid excessively steep hills.
- Check the terrain carefully before descending any hill.
- Never drive down hills with excessively slippery or loose surfaces.
- Drive slowly.
- Drive straight down the hill. Avoid descending the hill at an angle that could cause the vehicle to lean sharply to one side.
- Apply light and constant pressure to the brakes to maintain slow speed and control of the vehicle.

OPERATION

STALLING ON A HILL

A rollover can result from stalling or rolling backward while climbing a hill. Drive uphill at a constant speed.

If your vehicle completely stalls while climbing a hill:

1. Apply the brakes.
2. Verify that the area behind you is clear.
3. Put the transmission in R (reverse).
4. Use steady brake pressure to control the speed, and allow the vehicle to slowly roll straight downhill.

If your vehicle begins to roll downhill:

1. Do not press the accelerator.
2. Apply the brakes gradually until the vehicle fully stops.
3. Verify that the area behind you is clear.
4. Put the transmission in R (reverse).
5. Use steady brake pressure to control the speed, and allow the vehicle to slowly roll straight downhill.

DRIVING IN REVERSE

When driving in reverse, follow these guidelines:

- Check that the area behind the vehicle is clear of obstacles and people.
- Check left and right fields of vision before driving in reverse.
- Do not back down a steep hill.
- Drive in reverse slowly.
- Press the brakes lightly for stopping.
- Accelerate slow and steady.
- Avoid turning at sharp angles.

PARKING THE VEHICLE

NOTICE: *When parking the vehicle inside a garage or structure, the space must be well ventilated. Park the vehicle away from any source of flame or sparks, including any appliance with a pilot light.*

Park the vehicle on a flat surface if possible. If parking on an incline is unavoidable, be sure to chock the wheels.

1. Press the brake to stop the vehicle.
2. Engage the parking brake.
3. Turn the key switch to OFF.
4. Remove the key from the key switch to prevent unauthorized use.
5. If parking on an incline, chock the wheels on the downhill end.

BATTERY

NOTICE: *Heavy use of accessories or leaving accessories turned on when the vehicle is not being used can drain the battery and leave insufficient reserve to start the vehicle.*

The vehicle uses a starter/generator to start the engine and charge the battery. The engine does not idle; so the battery does not charge while the vehicle is stopped. Do not operate lights and other accessory items excessively while the vehicle is stopped. Turn off all accessories when the vehicle is stopped.

The generator can supply 30 amps. Operation of all accessories can cause the discharge of the battery even if the engine is running and the generator is operating. Discharging the battery is known as deep cycling. The battery is not a deep cycle model. It is a starting battery. Multiple deep cycling causes early failure of the battery.

If the battery discharges, charge it with a 12-volt charger that is rated at 10 amps or less and according to the instructions supplied by the manufacturer of the charger.

MAXIMUM WEIGHT CAPACITY

Do not exceed the maximum vehicle weight capacity (includes the weight of the operator, passenger, cargo, and accessories).

Maximum Vehicle Weight Capacity	800 lb (363 kg)
---------------------------------	-----------------

VEHICLE MAINTENANCE

MAINTENANCE SAFETY



To prevent serious injury or death, follow the procedures and comply with the safety information in this manual while performing vehicle service or maintenance.

Use the tools shown in the tool list and wear the specified safety equipment when performing vehicle service or maintenance.

Remove all jewelry before you service the vehicle.

Do not allow loose clothing or hair to contact the moving parts.

Do not touch hot objects.

The drive wheels must be lifted and supported on jack stands before performing any service to the powertrain while the engine is in operation.

Chock the wheels and support the vehicle with jack stands. NEVER get under a vehicle that is supported by a jack alone. Lift the vehicle according to the manufacturers instructions.



When servicing the vehicle, always wear eye protection. Be careful when working around batteries, using solvents, or compressed air.

Use insulated tools within the battery area to prevent sparks or battery explosion.

Maintain constant awareness that some components are heavy, spring loaded, corrosive, explosive, can cause high amperage, or get extremely hot. Battery acid and hydrogen gas can cause bodily injury. Keep hands, face, feet and body away from any area that can expose them to injury if an unexpected situation occurs.

After performing maintenance, test the vehicle in a safe area that is free from vehicle and person traffic.

NOTICE: To decrease the risk of engine damage, do not operate the vehicle at full throttle for more than 5 seconds if the drive wheels are lifted off the ground.

SCHEDULED MAINTENANCE

Consistent inspection, adjustment, and lubrication of some components are necessary to maintain the *vehicle* so that it remains in safe and reliable condition. Refer to the *SCHEDULED MAINTENANCE CHART* on page 26 for detailed requirements.

Inspect, clean, lubricate, adjust, and replace parts as necessary. Use *E-Z-GO* or equivalent replacement parts. Record the maintenance items performed along with details in the *MAINTENANCE LOG* beginning on page 49.

NOTICE: Service and adjustments are important for safe and reliable vehicle operation. If not familiar with safe service and adjustment procedures, have a certified dealer perform the operations.

Initial Service Requirements

Perform the additional inspection or maintenance at the initial service interval indicated in addition to regular intervals. See *SCHEDULED MAINTENANCE CHART* on page 26. An initial oil change is required after the 25 hour engine break in period.

MAINTENANCE

SCHEDULED MAINTENANCE CHART

Perform all services at the maintenance interval reached first.

E – Indicates emission-related services (Failure to do this maintenance will not void the emissions warranty but may affect emissions).

D – Indicates services that must be performed by an authorized dealer.

Item	Interval (perform at interval that comes first)		Remarks	Page
	Hours	Calendar		
Steering	Pre-ride		Check for smooth and free operation.	
Front suspension	Pre-ride		Inspect. Check for leaks and loose or missing hardware.	
Rear suspension	Pre-ride		Inspect. Check for leaks and loose or missing hardware.	
Tires	Pre-ride		Check condition and pressure.	11, 43
Wheel lug nuts	Pre-ride		Check for loose or missing.	31
Accelerator	Pre-ride		Check for smooth operation.	41
Brake system	Pre-ride		Check for proper operation.	41
Frame hardware	Pre-ride		Check for loose or missing.	
Fuel and engine oil level	Pre-ride		Check for correct level.	28
Air filter	Pre-ride		Inspect. Clean or replace as needed.	38
Headlights and taillights	Pre-ride		Check operation. Replace bulbs as needed.	32
Reverse warning alarm	Pre-ride		Check operation.	
Switches	Pre-ride		Check operation.	
Fluid leakages	Pre-ride		Inspect entire vehicle for leaks	
CVT belt	Pre-ride		Check condition.	
Engine oil and screen	Initial Service		Replace oil at first 25 hours of operation.	33
Wheels	Weekly		Check condition of rims, missing or loose lug nuts.	
E Air filter	Weekly		Inspect. Replace as needed.	38
Cooling fins	Weekly		Check for build-up of dirt inside blower housing and fins; clean as necessary.	
Engine oil	Weekly		Check level; add as necessary.	
Brake shoes	10	Monthly	Inspect. Replace as needed.	
Parking brake	20	Monthly	Conduct brake performance test; adjust as necessary	
Controller	20	Monthly	Check operation of controller braking force.	
Wiring	20	Monthly	Inspect for loose connections, broken or missing insulation.	
Direction selector	20	Monthly	Inspect attachment and mechanism; adjust as necessary.	
Steering	20	Monthly	Check for excess play, loose or missing hardware.	
Tie rods	20	Monthly	Check for excess play, bent rods, loose or missing hardware.	
Engine	20	Monthly	Check for unusual noise, vibration, acceleration, oil leaks.	
Rear axle	20	Monthly	Check for leakage; add oil as required.	
General lubrication	50	3 Months	Lubricate all fittings, pivots, cables, etc. where required.	28
Engine electrical system	50	3 Months	Check coil/spark plug wires for cracks or loose connections.	
General lubrication	50	3 Months	Lubricate all fittings, pivots, cables, etc. where required.	28
Throttle/governor linkage	50	3 Months	Check operation and governed speed.	
E Fuel system	50	3 Months	Check for leakage at tank, cap, lines, filters, pump, fuel rail.	
Front axle	50	3 Months	Check for damage, loose or missing hardware.	

Item	Interval (perform at interval that comes first)		Remarks	Page
	Hours	Calendar		
Parking brake	50	3 Months	Inspect linkage rods, latch arm, catch bracket. Lubricate with light oil (Do not lubricate cables or brake latch).	
Rear suspension	50	3 Months	Inspect shocks for leaks, worn bushings, loose or missing hardware.	
Front suspension	50	3 Months	Inspect strut for leaks. Check hubs and kingpins, for excessive play, worn bushings, loose or missing hardware.	
Front wheel alignment	50	3 Months	Inspect for unusual tire wear; align if necessary.	
Engine Oil	125	6 Months	Check level; add as necessary.	
Battery	125	6 Months	Inspect terminals. Clean as needed.	41
King pins	125	6 Months	Check for excessive play and tightness of retaining nuts.	
Rear axle	125	6 Months	Check for unusual noise, loose or missing hardware.	
E Air filter	125	6 Months	Inspect; clean/replace as necessary.	
CVT belt	125	6 Months	Inspect for cracks, fraying and excessive wear.	
Direction selector	125	6 Months	Check for wear and smooth movement; lubricate shaft with light oil if necessary.	
Steering	125	6 Months	Inspect bellows and pinion seal for damage and leakage.	
Rack end ball joint	125	6 Months	Check for noise and loose or missing hardware.	
CVT Filter	125	6 Months	Inspect. Clean as needed.	
Rear axle	250-300	Yearly	Check fluid level; add if required.	
Front wheel bearings	250-300	Yearly	Check and adjust as necessary.	
Brakes	250-300	Yearly	Clean and adjust. Check brake shoe linings; replace if necessary.	
Muffler/exhaust system	300	2 years	Check for leaks. Check the graphite joint integrity.	
E Blow-by PVC	300	2 years	Drain PVC drain tube.	
E Fuel System	300	2 years	Check for leakage at tank, cap, lines, filters, pump, fuel rail.	
E Carbon Canister	300	2 years	Check hoses for cracks. Check connections/clamps.	
Engine Oil	400	2 years	Replace. See <i>RECOMMENDED LUBRICANTS AND FLUIDS</i> on page 28 for type and capacity.	28
Oil screen	400	2 years	Clean during oil change.	
E Spark plug	500	2 years	Replace and gap new.	40
Transaxle & Differential	500	2 years	Check Oil Level. Add oil as needed.	37
Cylinder head and piston	500	5 years	Remove carbon.	
Cylinder head and piston	500	5 years	Check valve seats for carbon buildup; clean if necessary.	
Rear axle	500	5 years	Replace fluid.	
CVT Rollers	500	5 years	Inspect.	
Valves - intake/exhaust	1000	4 years	Check cold. Adjust if needed.	
CVT Slipper Shoe	1000	4 years	Inspect.	
CVT Rollers	1000		Replace.	

MAINTENANCE

RECOMMENDED LUBRICANTS AND FLUIDS

Check and lubricate all components at the intervals shown in the *SCHEDULED MAINTENANCE CHART* beginning on page 26.

Item	Capacity	Lubricants/Fluids	Notes
Engine oil	1.6 qt. (1.5 L)	5W-30	See page 33.
Fuel	5.96 gal. (22.6 L)	Unleaded; 87 octane min 10% ethanol content max.	See page 20.
Transaxle oil	34 oz. (1 L)	MOBIL 424	See page 37
Differential Oil	100 ml	80W-90 Gear Oil	See page 37
Grease fittings		Universal joint grease or equivalent	Do not exceed 3 pumps of grease in each fitting.

REPLACEMENT OF MAINTENANCE ITEMS

These items or their equivalents can be purchased through an authorized dealer, directly from E-Z-GO or any other qualified source.

Item	Part Number
Oil Screen	10005159
Air Filter	28463G01
Spark Plug	696497
Clutch Belt	696533
10A Automotive Fuse	35212G07
10A Fuse	636455G12
Fuel Pump Relay	684135
Accessory Relay	663593
Headlight Bulb	74004G02
Turn Signal Bulb	676687
Taillight Bulb	604311

LIFTING THE VEHICLE

WARNING

Read and comply with all of the following warnings and lifting procedures to prevent the possibility of the vehicle falling and causing serious injury or death.

For some maintenance procedures, it is necessary to lift the vehicle. Comply with the following warnings and follow the lifting procedure to ensure the safety of you, your vehicle, and, the surroundings.

WARNING

The vehicle must be on a firm and level surface for lifting.

Remain constantly aware that the vehicle is not stable during the lifting process.

Place the jack and jack stands only in the areas indicated in the following illustration.

Do not get under a vehicle until it's stability on the jack stands is verified. Never get under a vehicle while it is on a jack alone.

Put wheel chocks in front and behind all wheels that are not being lifted.

Do not allow anyone to remain or get on the vehicle at any time during the lifting process or when the vehicle is lifted.

When performing any service to the drive train, lift the drive wheels off the ground.

Tools

- jack
- jack stands (4)
- wheel chocks

Lifting Front

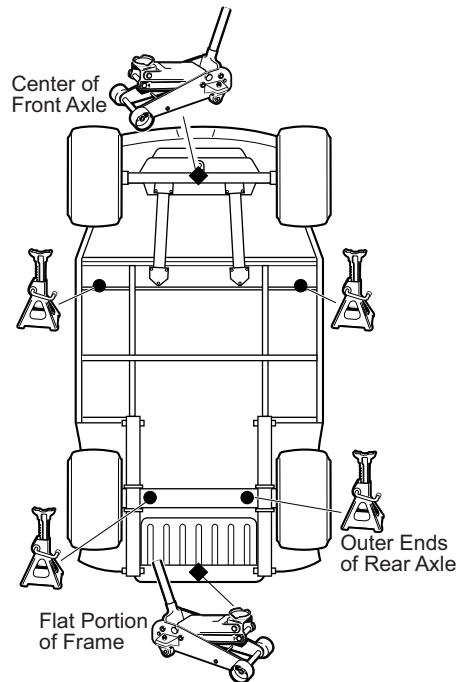
1. Chock the rear wheels to keep the vehicle from rolling backward.
2. Put a jack under the center of the front axle.
3. Raise the vehicle with the jack.
4. Install jack stands under the front frame cross member as shown.
5. Lower the vehicle until it rests on the jack stands.
6. Remove the jack.
7. Confirm that the vehicle is stable on the jack stands before proceeding with any service.

Lifting Rear

1. Chock the front wheels to keep the vehicle from rolling forward.
2. Put a jack under the center of the rear frame cross member.
3. Raise the vehicle with the jack.
4. Install jack stands under each end of the rear axle.
5. Lower the vehicle until it rests on the jack stands.
6. Remove the jack.
7. Confirm that the vehicle is stable on the jack stands before proceeding with any service.

Lowering Vehicle

1. Make sure chocks are still in place on any wheels that remain on the ground.
2. Put the jack in the same location that was used to raise the vehicle.
3. Raise the vehicle enough to remove the jack stands. Remove the jack stands from underneath the vehicle.
4. Slowly lower the vehicle to the ground and remove the jack.



MAINTENANCE

VEHICLE CLEANING AND CARE

Keeping your vehicle clean is not only beneficial to its appearance, but can also help extend the life of various components.

Washing the Vehicle

NOTICE: Do not use a pressure washer to wash the vehicle. High water pressure can damage components.

Some products, including insect repellents and chemicals, will damage plastic surfaces. Do not allow these types of products to contact the vehicle.

- Do not use a pressure washer to clean the vehicle.
- Use an automotive type cleaner or mild soap to wash the vehicle. Harsh cleaners can scratch the finish.
- Use clean or new cloths and pads for washing. Reused cloths and pads can contain dirt particles that will scratch the finish.
- Inspect all grease fittings for dirt intrusion or lack of grease after washing. Apply grease as required to maintain proper function.
- Use a sponge or soft brush and a soap/water solution to clean the vinyl seats. Rinse with clean water.
- Use an automotive type wash cloth to wash the body of the vehicle. To prevent the soap from drying on the vehicle, rinse with clean water frequently.
- Clean the windshield with water and a clean cloth. Remove small scratches with a plastic polish.
- Clean the bottom of the vehicle where mud or dirt can collect. Loosen any packed sediment to help with removal. Be careful not to damage the paint.
- Dry the vehicle with a chamois before the water dries to prevent water spots.

Polishing the Vehicle

- Do not use medium to heavy duty compounds on the finish. Use wax that is for clear coat automotive finishes only. Do not apply wax or polish to matte finish surfaces.
- Use clean or new cloths and pads for polishing. Old or reused cloths and pads can contain dirt particles that will scratch the finish.

TIRES

Follow the tire maintenance procedures as instructed in this manual and on the labels on the vehicle.

Always use the approved size and type of replacement tires. See Vehicle Specifications for the proper tire type and size.

WARNING

Worn, improperly inflated, improper sized, or incorrectly installed tires will affect vehicle handling and could cause an accident resulting in severe injury or death.

Inflate all tires to the same pressure. Operating with unequal or incorrect pressure can adversely affect steering and handling and could cause an accident resulting in severe injury or death.

To decrease the risk of tire explosion, do not exceed the tire inflation rating on the tire sidewall. Make sure the tires are properly inflated at all times of operation. See *Tire Pressure* on page 11.

To decrease the risk of tire explosion, inflate small amounts of air into the tire at intervals to allow the bead to seat properly. Because of the low volume of the small tires, over inflation can occur in seconds. Never exceed the tire inflation pressure rating on the tire sidewall when seating a bead. Protect your face and eyes when you remove a valve core.

When you remove the wheels, use only sockets made for impact wrenches to decrease the risk of injury by a broken socket.

Do not use tires with a low rated pressure. Do not use tires that have a recommended tire inflation pressure less than the tire inflation pressure recommended in the owner's manual.

Do not over inflate the tires. Excess pressure can cause the tire to separate from the wheel or cause a tire explosion.

Tire Pressure

Maintaining correct tire inflation pressure is essential for safe vehicle operation. You can vary the inflation pressure, within the recommended range to suit the condition of the terrain.

TIRE PRESSURE RANGE	TERRAIN CONDITIONS	RECOMMENDATION
18 - 22 psi (124 - 152 kPa)	hard surfaces or pavement	Inflate to higher pressure within the range; never exceed maximum pressure indicated.
	soft terrain or turf	Inflate to lower pressure within the range to reduce potential damage to the terrain or turf.

Tire Repair

Tools

- lug wrench, 3/4"
- impact socket, 3/4"
- impact wrench
- torque wrench, ft. lb

NOTICE: Tire plug tools and plugs are available at automotive outlets. The tire does not have to be removed from the wheel to install the tire plug.

Use a tire plug to repair small holes in the tread part of the tire. For large holes or holes/cuts in the tire sidewall, the tire must be replaced.

1. Remove the wheel from the vehicle. See *Wheel Removal* on page 31.
2. Locate the leak in the tire.
 - a. If the tire is very low or flat, fully inflate the tire.
 - b. Brush soapy water over the surface of the tire. Air bubbles will be visible where the air is leaking from the tire.
 - c. Mark the hole with chalk.
3. Install the plug according to the manufacturer's instructions.
4. Install the wheel on the vehicle. See *Wheel Installation* on page 32.
5. Fully inflate the tire. See *Tire Pressure* on page 11.

Tire Replacement

Tire replacement requires a tire mounting machine, and must be done by a qualified tire center or an authorized E-Z-GO dealer.

WHEELS

WARNING Worn, improperly inflated, improper sized, or incorrectly installed tires will affect vehicle handling and could cause an accident resulting in severe injury or death.

CAUTION To decrease the risk of component damage, do not tighten the lug nuts to more than the torque specified below.

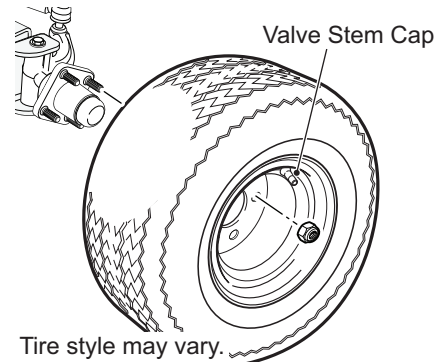
Check the lug nuts for tightness at the intervals indicated in the *SCHEDULED MAINTENANCE CHART* on page 26.

Wheel Removal

Tools

- lug wrench, 3/4"
- impact socket, 3/4"
- impact wrench
- torque wrench, ft. lb

1. Lift the vehicle. See *LIFTING THE VEHICLE* on page 29.
2. Remove the lug nuts.
3. Remove the tire from the vehicle.



MAINTENANCE

Wheel Installation

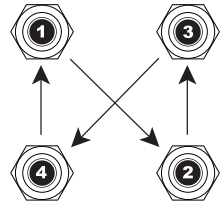
Lug Nut Torque	65 - 85 ft. lb (88 - 115 Nm)
----------------	------------------------------

NOTICE: To decrease the risk of component damage, do not tighten the lug nuts to more than the specified torque.

Always install lug nuts using a cross sequence pattern to ensure the even seating of the wheel against the hub.

1. Install the wheel on the hub with lug nuts. Make sure the valve stem is to the outside.
2. Finger tighten the lug nuts.
3. Using the cross tightening pattern shown to the right, tighten the lug nuts to 65 - 85 ft. lb (88 - 115 Nm). Tighten in increments of 20 ft. lb (27 Nm).

Lug Nut Tightening Pattern



LIGHTS

- Clean the lights frequently to maximize visibility.
- Replace burned out bulbs promptly.

CAUTION

Do not operate this vehicle at night or in low light if any bulbs are burned out. Poor lighting reduces visibility that could cause an accident resulting in severe injury or death.

NOTICE: Replacement bulbs are available from a local Distributor, an authorized Branch, or the Service Parts Department.

Headlight

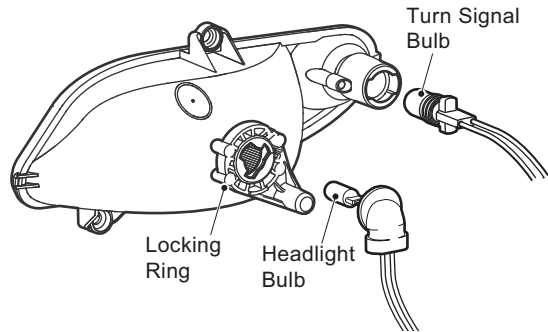
CAUTION

To prevent the bulb from inadvertently disconnecting and possibly melting or igniting plastic components, the locking ring MUST be reinstalled after installation of replacement bulb.

Pull the locking ring straight off the back of the light housing and allow it to slide down the harness and out of the way.

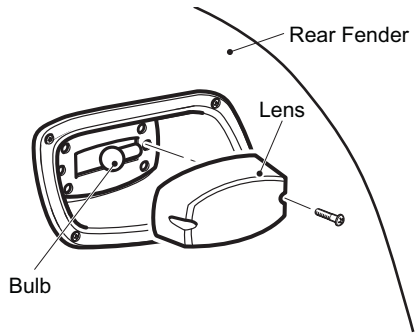
Rotate the bulb socket a quarter turn counterclockwise to unlock. Pull out the bulb and socket. Insert the new bulb and rotate the socket a quarter turn clockwise to secure.

Slide the locking ring over the new bulb socket and onto the back of light housing.



Brake Light

Remove the two Phillips head screws securing the lens and pull the lens out of housing to access the brake light bulb. Remove the light bulb and install a new bulb, making sure the bulb makes good contact with the socket. Clean the socket with electrical contact cleaner if necessary. Replace the lens and reinstall the Phillips head screws.



FUSE REPLACEMENT

The fuse block is under the driver seat.

NOTICE: *Have the vehicle inspected by an authorized dealer if fuses continue to blow after they have been replaced.*

1. Lift the seat bottom to access the fuses.
2. Remove the old fuse and replace with a new fuse of the same type and size.
3. Fuses are available from a local Distributor, an authorized Branch, or the Service Parts Department.

FOUR CYCLE ENGINE

The engine is an air cooled, 4-stroke, OHV, single cylinder gasoline engine. It has a pressure fed lubrication positive displacement oil pump with an oil screen and a counter rotating balance shaft.

NOTICE: *The engine uses more oil during the first hours of operation, than after the internal parts are run-in. As the run-in process occurs, oil use will gradually decrease until it stabilizes.*

Engine Specifications

Engine Model	EX1 EFI
Type.....	Four cycle, OHV
Number of Cylinders.....	1
Displacement.....	150 cc
Rated Horsepower	11.5 hp
Spark Plug Type	NGK CR6HSA
Spark Plug Gap	0.6 - 0.7
Cooling	Forced Air Cooled
Oil Screen.....	Screen Type Full Flow Filter
Oil Pump.....	Positive Displacement Pump

MAINTENANCE

CHECK THE OIL LEVEL

Check the engine oil at the intervals indicated in the *SCHEDULED MAINTENANCE CHART* on page 26.

Tools

- funnel
- clean lint-free cloth

CAUTION

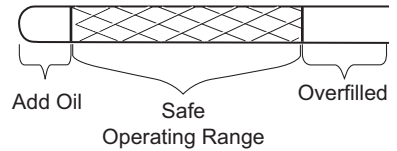
Wear protective gloves to prevent scalding from hot engine oil.

Check the engine oil level when the engine is warm with the vehicle parked on a level surface.

1. Turn the key switch to the OFF position and engage the parking brake.
2. Allow the oil to drain into the crankcase.
3. Wipe the top of the engine clean with a cloth to remove any debris that could fall in the engine.
4. Remove the dipstick and wipe off the entire length with a clean lint-free cloth.
5. To get an accurate level reading, wipe any oil from the dipstick and insert it back into the opening.
6. Remove the dipstick again and check the level. The oil level must fall within the crosshatch on the dipstick.
7. The engine can be operated safely as long as the oil is within the safe operating range as indicated on the dipstick.

NOTICE: The lack of oil or low oil level can damage the engine. Do not operate the vehicle if the oil level is below the safe area indicated on the dipstick.

8. If the oil level is below the crosshatch, add engine oil until the level is within the safe operating range.



NOTICE: Excessive oil can damage the engine. Oil expands as it gets hot, so do not overfill.

9. If the oil level is above the crosshatch, pump out the excessive oil with a siphon pump.
10. Replace the dipstick.

NOTICE: The oil dipstick and fill cap must be in place before operating the engine. Failure to install the dipstick or fill cap will result in oil contamination or oil being discharged into the engine compartment.

See RECOMMENDED LUBRICANTS AND FLUIDS on page 28 for oil capacity and grade. The use of an incorrect grade of engine oil can damage the engine. Always use the recommended grade. Do not mix engine oils of different grades or viscosities.

Do not overfill. Excessive oil can damage the engine. Add oil in small quantities with repeated level checks.

11. Replace the dipstick when the level is correct.

CHANGE THE ENGINE OIL

Change the engine oil at the initial service and then intervals indicated in the *SCHEDULED MAINTENANCE CHART* on page 26.

Tools

- ratchet
- socket, 17 mm
- allen socket, 6 mm
- funnel
- clean, lint-free cloth
- drain pan
- floor jack
- jack stands
- wheel chocks
- parts washer or carburetor/brake clean

NOTICE: See *RECOMMENDED LUBRICANTS AND FLUIDS* on page 28 for oil capacity and grade. The use of an incorrect grade of engine oil can damage the engine. Always use the recommended grade. Do not mix engine oils of different grades or viscosity.

Do not overfill the oil tank. Excessive oil can damage the engine. Add oil in small quantities with repeated level checks.

If the vehicle is to be stored over winter months, it can be stored with old oil left in engine. The oil should be changed as part of spring maintenance to remove any moisture that has accumulated during storage.

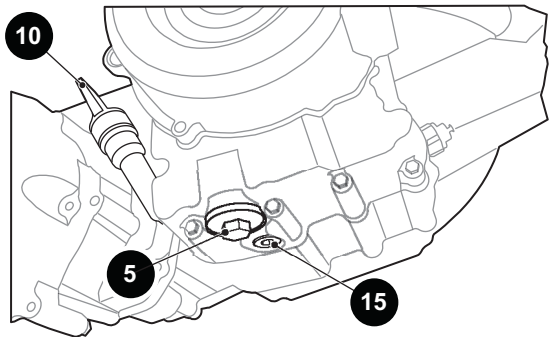
Remove the Engine Oil



Wear protective gloves to prevent scalding from hot engine oil.

Change the engine oil when the engine is warm and the vehicle is parked on a level surface.

1. Turn the key switch to the OFF position and engage the parking brake.
2. Wipe the top of the engine clean with a cloth to remove debris that could fall in the engine.
3. Remove the oil fill cap on the valve cover.
4. Chock the rear wheels.
5. Lift the front of the vehicle.
6. Place a drain pan under the oil drain plug.
7. Remove the drain plug (15) and allow the oil to completely drain into the pan.
8. Before installing the drain plug and the area around the drain hole with a lint free cloth



NOTICE: At the first oil change, small metal chips and lint may be found. This is normal, resulting from the break-in period. Inspect the oil screen at every oil change. The presence of large metal chips could indicate possible damage to the engine.

9. Remove the oil screen plug (5).
10. Clean the oil screen and tensioner spring in a parts washer or with carburetor/brake clean.
11. Before installing the oil screen plug, clean the area around the drain hole with a lint free cloth.
12. Inspect the plug, oil screen, and o-ring for damage. Replace any damaged items.
13. Insert the oil screen into the tensioner spring and the spring in the drain plug.
14. Reinstall the plug/oil screen assembly and tighten to 130 in./lb (14.7 Nm).

MAINTENANCE

Refill Oil

NOTICE: See **RECOMMENDED LUBRICANTS AND FLUIDS** on page 28 for oil capacity and grade. The use of an incorrect grade of engine oil can damage the engine. Always use the recommended grade. Do not mix engine oils of different grades or viscosity.

Engine oil must be high quality oil that meets or exceeds API SF, SG, CC standards.

Do not overfill. Excessive oil can damage the engine. Add oil in small quantities with repeated level checks.

1. To allow for possible residual oil left in the engine, add slightly less than the rated engine capacity (**RECOMMENDED LUBRICANTS AND FLUIDS** on page 28) into the fill hole.
2. Check the oil level on the dipstick (10). The oil should fall within the crosshatch.
3. Add oil in small quantities with repeated level checks to make sure you are not overfilling the engine.
4. When the level is correct, replace the dipstick.
5. As a final check, check the oil level again with the vehicle on level ground.

Oil increases in volume when warm. The engine can be operated safely as long as the oil is within the crosshatch on the dipstick. **Do not operate the vehicle if the oil level is below the safe area indicated on the dipstick.**

AIR INTAKE AND COOLING FINS

⚠ WARNING Keep the engine cooling components clean to reduce the risk of overheating and the possible ignition of accumulated debris.

Dirt and debris can clog the engine air cooling system. Allow the engine to cool and use the following guidelines after every off-road use:

- Check for a build up of dirt and debris in the air intake and cooling fins.
- Clean the areas shown to prevent engine damage.
- Make sure the linkages, springs, and controls are clean.
- Make sure the area around the muffler is free of any combustible material.



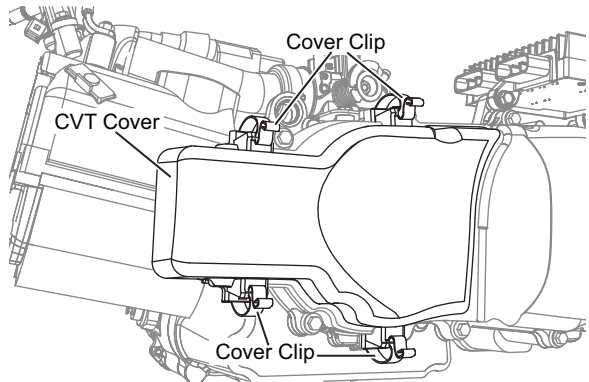
Regular maintenance of the cooling system is required to ensure an adequate supply of air to the cooling fins. Compressed air can be used for routine cooling system maintenance.

Clean the cooling system at the intervals indicated in the **SCHEDULED MAINTENANCE CHART** on page 26.

CVT FILTER

Dirt and debris can clog the CVT filter and make cooling the engine difficult. Occasional cleaning is required.

- Unlatch the CVT cover clips to access the CVT filter.
- Remove the CVT Cover.
- Clean the CVT filter using compressed air.
- If the CVT is badly soiled, replace it.



REAR AXLE

The rear axle has two separate oil cavities. Each cavity (transaxle and differential) has a drain plug and a check/fill plug. Unless leakage of axle oil is evident, an annual check is sufficient.

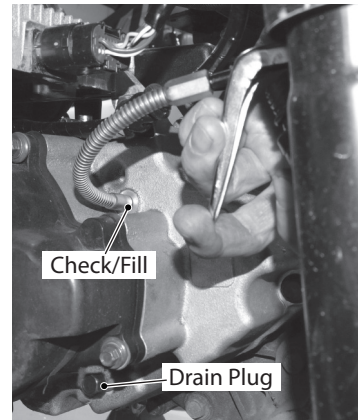
Change the transaxle oil and differential oil at the intervals indicated in the *SCHEDULED MAINTENANCE CHART* on page 26.

Tools

- Socket, 14 mm
- Ratchet
- Funnel
- Oil Can

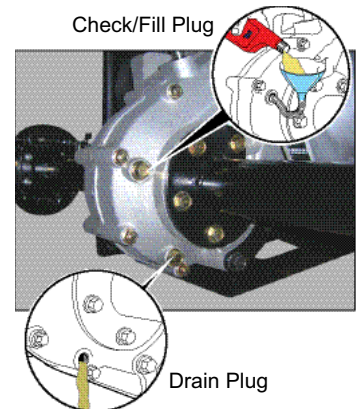
Checking the Transaxle Oil Level

1. Clean the area around the check/fill plug.
2. Remove the plug. The correct axle oil level is **just** below the bottom of the threaded hole.
3. If axle oil is low, slowly add oil with an oil can until it starts to seep from the check/fill hole and install the plug.



Checking the Differential Gear Oil Level

1. Clean the area around the check/fill plug.
2. Remove the plug. The correct axle oil level is **just** below the bottom of the threaded hole.
3. If axle oil is low, slowly add oil with a pump or oil can until it starts to seep from the check/fill hole and install the plug.



MAINTENANCE

AIR FILTER

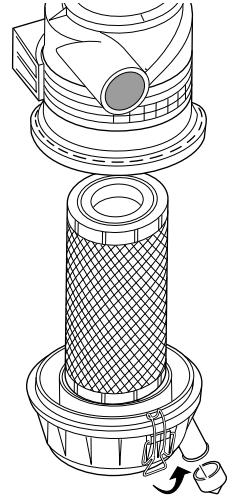
Inspect and replace the air filter cartridge at the intervals indicated in the *SCHEDULED MAINTENANCE CHART* on page 26.

NOTICE: *The filter is a dry filter. Do not apply oil.*

1. Unlatch the cover to access the air filter cartridge.
2. Remove the filter from the housing.
3. Inspect the cartridge.

CAUTION Using compressed air to clean the filter cartridge will damage the filter which can cause engine damage.

4. A lightly soiled filter can be cleaned by tapping out dust. Do not use compressed air on the filter. If the filter is heavily soiled, it must be replaced.
5. Reinstall or replace the filter, making sure it is fully seated in the housing.
6. Replace the housing and secure with the latches on the air cleaner cover.

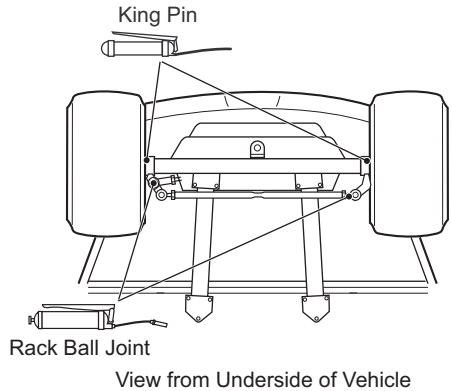


LUBRICATION

CAUTION Do not use more than three pumps of grease in a grease fitting at any one time. Excess grease can cause grease seals to fail or allow grease into areas that could damage components.

Pumping more than three pumps of grease in a grease fitting could damage grease seals and cause premature bearing failure.

Lubricate components at the intervals indicated in the *SCHEDULED MAINTENANCE CHART* on page 26.



MALFUNCTION INDICATOR LIGHT (MIL)

The EFI system uses Diagnostic Trouble Codes to report issues. Both active and stored faults are reported by the Engine Control Module (ECM).

- Active Faults – These are faults that are actively occurring at the moment.
- Occurred Faults – These are faults that have been triggered since the key switch was last turned to the ON position.
- Historical Faults – These are faults that are no longer active. These faults have not been triggered since the key switch was last turned to the ON position. They were active at one time but were stored when the key switch was turned to the OFF position sometime in the past.

These faults can be read from the MIL located on the instrument panel next to the key switch. A series of flashes indicates each fault code. A description of how to read codes from the MIL is detailed below. More information about each fault can be obtained from a service technician with the proper equipment.

Follow the below procedure to read active and stored vehicle faults from the MIL:

1. Lock the vehicle's direction selector in Neutral.
2. View the MIL on the control panel next to the key switch.
3. Turn the key switch to the ON position and back to the OFF position quickly 3 times.
4. Observe the sequence of flashes. The codes are presented after a brief 0.25 second flash to signify that codes will follow.
 - d. The double-digit fault codes display as a combination of 1-second flashes for the tens place and 0.5-second flashes for the ones place.
 - e. Faults are displayed in numerical order.
 - f. Active faults are displayed whether the engine is running or not. Stored faults only display when the engine is not running.
 - g. Codes will repeat in the same order five times.

If there are no active or stored faults, the MIL remains off or not illuminated.

The ECM will enter sleep mode after 10 minutes of inactivity. If the key switch is in the ON position and the MIL is not illuminated, press and release the accelerator pedal to wake the system.

MIL Flash Code	Fault	Recovery Steps
15	Engine Over Temperature	<ol style="list-style-type: none"> 1. Remove vehicle from service. 2. Clean the CVT filter using compressed air. 3. Clean air fins using compressed air. 4. If fault returns, contact an authorized service rep.
31	Crankshaft Sensor Malfunction	<ol style="list-style-type: none"> 1. Check that the electrical connection at the crankshaft position sensor is not loose. 2. If connected, contact an authorized service rep.
64	Low Oil Pressure	<ol style="list-style-type: none"> 1. Add oil as needed 2. If oil level is acceptable, contact an authorized service rep.
65	Pedal Switch Protection	<ol style="list-style-type: none"> 1. Contact an authorized service rep.
66	Stuck Throttle Protection	<ol style="list-style-type: none"> 1. Verify that the throttle body is fully actuated with the pedal to the floor. 2. If fully actuated or if the fault persists, contact an authorized service rep.

MAINTENANCE

SPARK PLUG

Tools

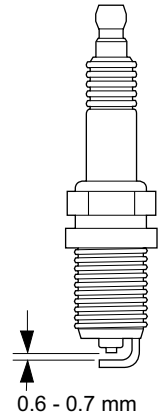
- spark plug socket, 5/8"
- ratchet
- anti-seize compound
- torque wrench, ft. lb
- feeler gauge

CAUTION

Do not over tighten the spark plug. Over tightening the plug can cause damage to the aluminum cylinder head threads.

1. Remove the spark plug when the engine is cold.
2. Inspect and replace the spark plug at the intervals indicated in the *SCHEDULED MAINTENANCE CHART* on page 26.

INSPECT	CONDITION OF SPARK PLUG	ACTION
Electrode	Sooty	Clean carefully with a wire brush.
	Worn or damaged	Replace spark plug.
Condition of plug	Fouled (indicated by a wet, black appearance) possibly caused by:	
	• dirty air filter element or other restrictions in the air intake system	Clean air system. Replace spark plug.
	• incorrectly adjusted valves	Adjust valves. Replace spark plug.
	• park plug wire in poor condition	Repair or replace wire. Replace spark plug.
	• poor fuel quality	Change fuel. Replace spark plug.
Porcelain insulator	Visible cracks	Replace spark plug.
Gap	Correct gap (see illustration at right)	Reinstall spark plug.
	Incorrect gap (see illustration at right)	Adjust to correct measurement.



3. Apply a light coat of anti-seize compound to the spark plug threads.
4. Tighten to 87- 121 in. lb (9.8 - 13.7 Nm) torque.

BRAKES



WARNING Always inspect the pedal travel before operating a vehicle to confirm some brake function is present.

All driving brake tests must be done in a safe location with regard for the safety of all personnel.

NOTICE: Over time, a subtle loss of performance may take place. It is, therefore, important to establish the standard with a new vehicle.

Test and service the brake system at the intervals indicated in the *SCHEDULED MAINTENANCE CHART* on page 26.

Periodic Brake Test

The *Periodic Brake Test* must be performed initially and regularly as an evaluation of the vehicle's brake system performance. It is a method of identifying a subtle loss of braking performance over time.

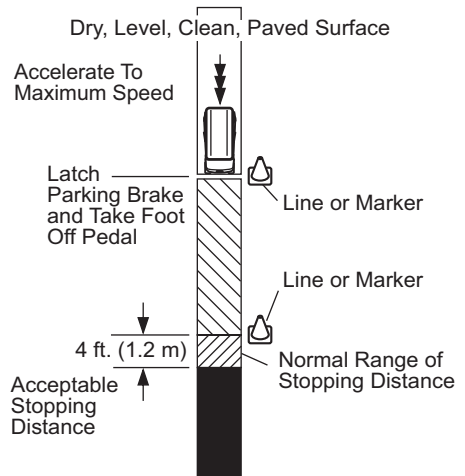
Establish the 'acceptable stopping distance' when the vehicle is new and the brakes are at their peak of performance. As the vehicle is used, a subtle loss of braking performance may be detected, so it is important to establish the standard with a new vehicle.

Actual stopping distances are influenced by weather conditions, terrain, road surface condition, vehicle weight and speed. No specific braking distance can be reliably specified, so it is important to establish a base to test with.

The test is conducted by engaging the park brake instead of the brake pedal to eliminate different pedal pressures, to include affects of linkage mis-adjustment, and to provide a more accurate test.

NOTICE: You must have enough space to accelerate to maximum speed before engaging the parking brake. Use a marker to indicate the predetermined line to engage the parking brake that you will use for the performance test.

1. On a dry, level, clean, paved surface, accelerate the vehicle to maximum speed.
2. Engage the parking brake at the predetermined and marked line.
3. Mark the line where the vehicle comes to a complete stop.
4. If the vehicle stops in a significantly greater distance than the established distance in future tests, or pulls to one side, it should be tested again.
5. If the vehicle fails the second test, discontinue use until it can be inspected and determined safe for operation by a qualified technician.



Any vehicles that stop more than 4 ft. (1.2 m) beyond the Acceptable Stopping Distance or pulls to one side should be removed from service and inspected by a qualified mechanic

BATTERY

The vehicle has a sealed battery. The battery requires no maintenance except to keep it corrosion-free and to test for functionality.

The sealed battery is filled with electrolyte and sealed at the factory. Never pry the seal strip off or add fluid to the battery.

Inspect the battery terminals at the intervals indicated in the *SCHEDULED MAINTENANCE CHART* on page 26. Clean and tighten as needed.

MAINTENANCE

WARNING

Use insulated wrenches to prevent direct contact of a wrench with the battery terminals. Direct contact of a bare wrench with battery terminals can cause an explosion resulting in severe injury or death.

To prevent the risk of battery explosion, keep all flammable materials, open flames, and sparks away from the batteries.

CAUTION

The electrolyte in a battery is an acid solution which can cause burns to the skin and eyes. Completely clean all electrolyte spills that contact the body and eyes with clear water. Contact a physician immediately.

Neutralize electrolyte spills with a solution of 2 teaspoons (10 ml) sodium bicarbonate (baking soda) mixed in 1 quart (1 liter) of water. Rinse the area with clean water.

Battery Cleaning

CAUTION

To decrease the risk of damage to the vehicle or floor, neutralize any acid before spraying the battery with water.

Always wear eye protection when cleaning the battery.

NOTICE: To decrease the risk of damage to the electrical components surrounding the battery while cleaning, do not use a pressure washer.

1. Remove corrosion with a wire brush.
2. Wash the top and sides of the battery with a solution of:
 - 1 tsp. (5 ml) baking soda
 - 1 cup (236 ml) waterWash all metal components near the battery.
3. Rinse with tap water and dry with shop towels.
4. After the battery is clean and dry, coat with a commercially available battery terminal spray.

Battery Charging

WARNING

Hydrogen gas is produced as batteries are charged. Charge batteries only in well-ventilated areas.

Do not overcharge the battery. Overcharging the battery can cause overheating and possible explosion resulting in severe injury or death.

NOTICE: Use a battery charger that is designed for charging sealed batteries.

Keep the battery fully charged.

Heavy use of accessories can drain the battery and leave insufficient charge to start the vehicle.

The sealed battery is a 12 V starter battery that supplies power to the starter and accessories. A starter starts the engine and an internal generator charges the battery while the engine is running. Due to heavy use of accessories, the battery can become discharged even if the engine is running and the generator is operating.

It is important to keep the battery fully charged. Since the battery is sealed, a voltmeter or multimeter is required to check voltage.

1. Check the battery voltage with a voltmeter or multimeter.
 - If the voltage measured is 12.8 V or higher, the battery is fully charged and requires no further action.
 - If the voltage measured is less than 12.8 V, recharge the battery.
2. Charge the battery with a charger designed for sealed batteries. Follow the instructions supplied from the manufacturer of the charger.

Discharged Battery

⚠ WARNING To decrease the risk of severe injury or death from accidental movement, do not use jumper cables to start a vehicle.

The vehicle has a starter/generator and does not idle. When you start the engine, the starter/generator functions as a starter. With the engine running, the starter functions as a generator.

The generator can keep the battery charged with short run times, but the generator will not charge a discharged battery.

When the engine starts, the clutches engage and cause the vehicle to move making jump starting both dangerous and impractical.

If the battery has discharged, charge it with a 12-volt charger that is rated at 10 amps or less and according to the instructions supplied by the manufacturer of the charger.

Battery Disposal

Return used batteries to the manufacturer or lead smelter for recycling purposes. For neutralized spills, put any residue in acid-resistant containers with absorbent material such as sand. Dispose of the container in accordance with state and federal regulations for acid and lead compounds. Contact authorized environmental agencies for information about disposal.

Battery Storage

NOTICE: A battery will self-discharge over time. The rate of discharge varies depending on the ambient temperature, age, and the condition of the battery. Check the battery each month during storage and charge as needed to maintain a full charge.

A full charge will prevent the battery from freezing in winter conditions.

If the vehicle will be out of operation for three (3) months or longer, do the following:

1. Remove the battery from the vehicle.
2. Make sure the battery is fully charged.
3. Store it out of the sun in a cool, dry place.
4. Check the battery voltage each month during storage and recharge as needed to maintain a full charge.

TRANSPORTING THE VEHICLE

⚠ WARNING Do not ride or allow other people on a vehicle being transported on a trailer or being towed with another vehicle.

Hauling the Vehicle

⚠ WARNING Loose cargo or vehicle components can fly off when the vehicle is being transported. Secure or remove all cargo. Inspect the vehicle for loose components prior to transport.

Do not allow any people on a vehicle being transported on a trailer.

Remove the windshield before transporting a vehicle on a trailer.

Maximum speed with the canopy top installed is 50 mph (80 kph).

- If the vehicle is being hauled on a trailer or truck at highway speeds, the canopy top must be removed.
 - If the vehicle is being hauled on a trailer or truck below highway speeds, check that canopy top hardware is tight and there are no cracks in the canopy top at the mounting points.
 - The rated capacity of the hauling trailer or truck must be more than the weight of the vehicle and load plus 1000 lb (454 kg). See GENERAL SPECIFICATIONS for the weight of the vehicle.
1. Drive the vehicle onto the trailer or truck.
 2. Engage the parking brake. Leave the direction selector in F (forward).
 3. Turn the key switch to the OFF position.
 4. To prevent the loss of the key, remove it from the key switch.
 5. Make sure the fuel cap is tight.
 6. Make sure the seats are secured.
 7. Secure the vehicle to the trailer or truck with tie downs, straps or ropes.

MAINTENANCE

Towing the Vehicle

WARNING

Do not try to tow the vehicle with ropes, chains, or any device other than a tow bar approved by the manufacturer.

Do not tow the vehicle on highways.

Do not tow the vehicle at speeds more than 12 mph (19 kph).

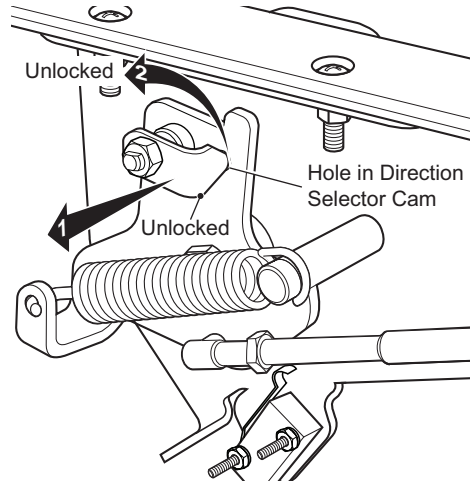
1. Turn the key switch to OFF.

NOTICE: *The direction selector has a neutral lock to prevent the driven clutch from turning the rear wheels when the vehicle is being towed by another vehicle.*

2. Lock the direction selector with the neutral lock to ensure the direction selector remains locked in the neutral position.
 - a. Lift the seat to access the neutral lock.
 - b. Pull out and rotate the neutral lock pin handle so that the pointed portion of the handle is to the side of the direction selector cam.
 - c. Move the direction selector toward the area between F and R. During that motion the pin will snap into the hole in the direction selector mounting bracket, preventing movement.

When in this position, the direction selector remains locked in the neutral position.

3. Attach the vehicle to the towing vehicle with a tow bar that is approved by E-Z-GO.
4. Release the parking brake if it is engaged.
5. After the vehicle has been towed, unlock the direction selector.
 - a. Pull the neutral lock pin handle out.
 - b. Rotate until the pointed portion of the handle fits into the hole in the direction selector cam.



VEHICLE STORAGE

Storing a vehicle for 30 days or more requires proper preparation to prevent a build-up of varnish and gum in the fuel system, and corrosion in the engine. The following procedure will prepare the vehicle for storage:

WARNING

Store the vehicle in a clean, dry area. Do not store in an area with a stove, furnace, water heater, or any other appliance that uses a pilot light or has a device that can create a spark.

Do not handle fuel in an area that is not adequately ventilated. Do not smoke near the fuel tank or refuel near open flame or electrical items which could produce a spark.

When refueling, inspect the fuel cap for leaks or breaks that could result in fuel spillage.

Always wear safety glasses while refueling to prevent possible eye injury from gasoline or gasoline vapor.

Keep hands, clothing, hair, and jewelry away from moving parts. Use caution not to contact hot objects. Raise the rear of the vehicle and support on jack stands before attempting to run the engine.

NOTICE: *The vehicle can be stored with the old oil left in the engine. The oil must be changed when the vehicle is removed from storage before resuming operation. This removes condensation that may have accumulated in the crankcase.*

Do not leave the parking brake engaged during the storage period. Use wheel chocks to prevent the vehicle from rolling.

1. Store your vehicle in an area that is well ventilated.
2. Clean the vehicle. See *VEHICLE CLEANING AND CARE* on page 30.

3. Turn the key switch to the OFF position and put the direction selector in the NEUTRAL position.
4. Chock the wheels to prevent the vehicle from rolling. Do not engage the parking brake.
5. Perform all required routine maintenance indicated in the *SCHEDULED MAINTENANCE CHART* on page 26.
6. Fully inflate the tires. See *Tire Pressure* on page 31.
7. Add fuel stabilizer (4 oz. for a full tank of fuel) to the fuel and install the cap securely.
8. Remove the spark plug and pour approximately 1/2 oz. (15 ml) of SAE 5W-30 weight oil or fogging oil into the cylinder.
9. Rotate the crankshaft by hand several times, and reinstall the spark plug.
10. Cover the vehicle. Covers designed specifically for vehicles are recommended because they allow enough ventilation to prevent condensation and corrosion.

Remove from Storage

1. Change the oil.
2. Check the spark plug for tightness. Tighten if necessary.
3. Check all items in the daily pre-ride inspection. See *PRE-RIDE INSPECTION* on page 19.
4. Lubricate according to the *SCHEDULED MAINTENANCE CHART* on page 26.

MAINTENANCE

SPECIFICATIONS

TXT FREEDOM - VEHICLE SPECIFICATIONS

Item	Specification
Overall Length	93.0in (236cm)
Overall Width	47 in (119 cm)
Overall Height (No Canopy)	47.5 in (118 cm)
Overall Height (With Canopy)	67.5 in (171 cm)
Wheel Base	66 in (168 cm)
Front Wheel Track	34.0 in (86 cm)
Rear Wheel Track	38.5 in (98 cm)
Ground Clearance (at Differential)	4.5 in (11 cm)
Horsepower (kW)	11.5 hp (8.6 kW)
Dry Weight	723 lb (328 kg) (without battery)
Curb Weight	739 lb (335 kg)
Vehicle Load Capacity	500 lb (227 kg)
Dash/IP Storage Capacity	1,123 in ³ (18,403 cm ³)
Outside Clearance Circle	19 ft (5.8 m)23.5 ft (7.2 m)
Turning Radius	9.5 ft (2.9 m)
Speed (Level Ground)	19 mph ± 0.5 mph (31 kph ± 0.80 kph)
Engine	4-Cycle 9.15 in ³ (150 cc)
Valvetrain	Single Cylinder OHV
Electrical System	Internal Starter / Generator
Battery	One, 12-Volt Maintenance-Free
Key or Pedal Start	Pedal
Air Cleaner	Industrial Rated Dry Cartridge
Lubrication	Pressurized Oil System
Oil Screen	No Oil Filter
Cooling System	Air Cooled
Max Fuel Volume	5.96 Gallon (22.6 L)
Fuel Pump Operating Pressure	43.5 psi (3 bar)
Fuel System	Closed-loop electronic fuel injection
Balancer	Internal Counter Rotating Balance Shaft
Ignition	Electronic Inductive Spark / Magneto
Drivetrain	Continuously Variable Transmission (CVT)
Transaxle	Differential with helical gears
Gear Selection	Forward - Reverse
Rear Axle Ratio	11.47:1 (Forward) 14.35:1 (Reverse)
Seating Capacity	2-Person
Towing Capacity	3 E-Z-GO Golf Cars with approved tow bars
Steering	Self-compensating reduction rack and pinion
Front Suspension	Leaf springs with hydraulic shock absorbers
Rear Suspension	Leaf springs with hydraulic shock absorbers

SPECIFICATIONS

Brakes	Dual rear wheel mechanical self-adjusting drum
Parking Brake	Self-compensating, single point engagement
Front and Rear Tires	18 x 8.5 - 8 (4 ply rated)
Frame	Welded steel with DuraShield™ powder coat
Body and Finish	Injection Molded TPO
Noise	Sound pressure; continued A-weighted equal to or less than 65 db(A)
Vibration, WBV	Highest RMS value of weighted acceleration is less than 2.5 m/s ² .
	The uncertainty of measurement is 0.11 m/s ² .
Vibration, HAV	Highest RMS value of weighted acceleration is less than 2.5 m/s ² .
	The uncertainty of measurement is 0.70 m/s ² .
	Measurement methods were applied per the ISO 2631 and ISO 5349 standards under conditions of typical vehicle surfaces.
<i>Some items shown may be optional equipment</i>	

MAINTENANCE LOG

DATE	MILES (KM) AND HOURS	TECHNICIAN	SERVICE PERFORMED COMMENTS

MAINTENANCE LOG

DATE	MILES (KM) AND HOURS	TECHNICIAN	SERVICE PERFORMED COMMENTS

MAINTENANCE LOG

DATE	MILES (KM) AND HOURS	TECHNICIAN	SERVICE PERFORMED COMMENTS

MAINTENANCE LOG

DATE	MILES (KM) AND HOURS	TECHNICIAN	SERVICE PERFORMED COMMENTS

MAINTENANCE LOG

DATE	MILES (KM) AND HOURS	TECHNICIAN	SERVICE PERFORMED COMMENTS

APPENDIX A

DECLARATION OF CONFORMITY

**DECLARATION OF CONFORMITY • ДЕКЛАРАЦИЯ ЗА СЪОТВЕТСТВИЕ • PROHLÁŠENÍ O SHODĚ •
 OVERENSSTEMMELSESERKLÆRING • CONFORMITEITSVERKLARING • VASTAVUŠDEKLARATSIION •
 VAATIMUSTENMUKAISUUSVAKUUTUS • DECLARATION DE CONFORMITE • KONFORMITÄTSEKHLÄRUNG • ΔΗΛΩΣΗ
 ΣΥΜΜΟΡΦΩΣΗΣ • MEGFELELŐSÉGI NYILATKOZAT • DICHIARAZIONE DI CONFORMITÀ • ATBILSTĪBAS DEKLARĀCIJA •
 ΑΤΤΙΚΤΙΚΕΣ ΔΕΚΛΑΡΑCΙΑ • DIKJARAZZJONI TAL-KONFORMITĀ • DEKLARACJA ZGODNOŚCI • DECLARAÇÃO DE
 CONFORMIDADE • DECLARATION DE CONFORMITATE • VYHLÁŠENIE O ZHODE • IZJAVA O SKLADNOSTI • DECLARACIÓN DE
 CONFORMIDAD • DECLARATION OM ÖVERENSSTÄMMELSE • SAMRÆMISYFIRLÝSING • KONFORMITETSEKHLÆRING •
 符合性声明 • SAMRÆMISYFIRLÝSING • 適合宣言 • 적합성 선언서 • UYGUNLUK BEYANI • ДЕКЛАРАЦИЯ ПРО ВІДПОВІДНІСТЬ**

Business name and full address of the manufacturer • Търговско име и пълен адрес на произведителя • Obchodní jméno a plná adresa výrobce • Productenters firmanavn og fulde adresse • Bedrijfsnaam en volledig adres van de fabrikant • Tooteja ärimini ja täielik aadress • Valmistajan toiminnin ja täydellinen osoite • Nom commercial et adresse complete du fabricant • Firmennamen und vollständige Adresse des Herstellers • Entsuvojuo ka tovaltoajon täydellisen kaotokosoajan • A gyártó üzleti neve és teljes címe • Ragione sociale e indirizzo completo del fabbricante • Uzņēmuma nosaukums un pilna ražotāja adrese • Veisto pavadinimas ir pilnas gamintojo adresas • Isen kummerschaft u mdriziv oihh tai-fabrikanti • Nazwa firmy i peiny adres producenta • Nome da empresa e endereço completo do fabricante • Denominata comercială și adresa completă a producătorului • Obodný názov a úplná adresa výroby • Naziv podjetja in polni naslov proizvajalca • Nombre de la empresa y dirección completa del fabricante • Tilverkarernas företagsnamn och kompletta adress • Fyrirtækisheiti og full heimilisfang framleiðanda • Firmanavn og full adresse for produsenten • 製造業的姓名和完整地址 • Nafn fyrirtækis og full heimilisfang framleiðanda • 商号およびメーカーの正式住所、 제조사의 상호명 및 주소 • Imalatçının ticari ünvanı ve açık adresi • Фірмова найменування і повна адреса виробника	Textron Specialized Vehicles (aka E-Z-GO Division of Textron Inc.) 1451 Marvin Griffin Road Augusta, GA 30906 USA
--	--

Product Code • Код на продукта • Kód výrobku • Produktkode • Productcode • Toote kood • Tuotekoodi • Code produit • Produktcode • Кодовый прототип • Termekód • Codice prodotto • Produktu kods • Produktu kodas • Kodik tal-Prodott • Kod produktu • Código do Produto • Cod produs • Kód výrobku • Oznake proizvoda • Código de producto • Produktid • Vónúmer • Produktcode • 产品代码 • Framleiðslunúmer • 製造コード • 제품 코드 • Úrün Kodu • Код виробу	680343G01, 680344G01, 680345G01, 680346G01, and 696377G01
---	--

Machine Name • Наименование на машината • Názve stroje • Maskinnavn • Maschinenname • Masina nimi • Laiteen nimi • Nom de la machine • Maschinenbezeichnung • Ονομασία μηχανήματος • Géneipi • Denominazione della macchina • Iekārtas nosaukums • Mašinos pavadinimas • Isen tai-Magna • Nazwa urządzenia • Nome da Máquina • Numele echipamentului • Názvo stroja • Názvo stroja • Nombre de la máquina • Maskinsens namn • Heiti tækis • Maskinnavn • 機器名称 • Nath velaar • 機號名 • 기기 명칭 • Makine Adı • Назва машини	TXT Fleet G ISG, TXT Freedom G ISG, TXT Shuttle 2+2 G ISG, TXT Valor ISG, and TRACKER LS2 G ISG
--	---

Designation • Предназначение • Oznáčení • Betegnelse • Benaming • Nimetus • Tuupimerkintä • Pažymėjimas • Bezeichnung • Χαρακτηρισμός • Megnevezés • Funzione • Apzīmējums • Lithuanian • Denominazzjoni • Oznaczenie • Designação • Specificație • Oznaczenie • Naman stroja • Description • Betegnelse • Märking • Konstruktion • 名称 • Utnefning • 用途 • 지정 • Tani • Позначення	Gasoline powered Golf Cars and Personal Transport Vehicles
--	---

Serial Number • Серен номер • Sériové číslo • Seriennummer • Seriennummer • Seriennummer • Valmistusnumero • Número de série • Seriennummer • Σειράός αριθμός • Sériozátszám • Número di serie • Sérijas numurs • Seriens numeris • Numru Serjii • Number serjiny • Número de Série • Numár de serie • Sériové číslo • Serija kartiņi • Número de serie • Seriennummer • Radnummer • Seriennummer • 序列号 • Radnummer • シリアル番号 • 일련 번호 • Seri Numaras • Сериальный номер	3456000 3800000
--	-----------------


Conforms to Directives • В съответствие с директивите • Spiluje podmínky smérnic • Er i overensstemmelse med direktiver • Voldoet aan de richtlijnen • Vastab direktiividele • Direktiivien mukainen • Conforme aux directives • Entspricht Richtlinien • Ακολουθεί κατά τις Οδηγίες • Megfelel az irányelveknek • Conforme alle Direttive • Atbilst direktívām • Atbilstna direktīvu rakstāvim • Valutazzjoni tal-Konformità • Dyræktivy związane • Cumpre as Directivas • Respectă Directivele • Je v súlade so smernicami • Skladnost s direktivami • Cumplere con las Directivas • Uspolyfer direktiv • Samræmisat tilsiðurum • I samvar med direktiv • 符合指令 • I samvári við reglugerðir • 適合指令 • 규정 준수 • Şu Yönergelelere Uyumaktadır • Вiдповiдає директивi	2006/42/EC 2014/30/EU
---	--------------------------

Conformity Assessment • Оценка за съответствие • Hodnocení písní podnikne • Överensstemmelseavurdering • Conformitätsbeurteilung • Vastavustundamine • Vastimustenmukaissuuden arviointi • Evaluation de conformité • Konformitätsbeurteilung • Conformitate Evaluare • Megfelelőségi értékelés • Valutazione della conformità • Atbilstības novērtējums • Atbilstības ievērināms • Līvelis tai-Oawwa tal-HoIs Imkeigji • Ocena zgodności • Avaliação de Conformidade • Evaluarea conformității • Vyhodnotenie zhodnosti • Ocena skladnosti • Evaluación de conformidad • Bedömning av överensstämmelse • Samræmismat • Konformitetsavurdering • 符合性评估 • Samræmismat • 適合性評価 • 적합성 평가 • Uygunluk Değerlendirilmesi • Ocina відповiдностi	2006/42/EC Annex II
--	---------------------

Harmonised standards used • Използвани хармонизирани стандарти • Použité harmonizované normy • Brugte harmoniserede standarder • Gebruikte geharmoniseerde standaards • Kasutatud ühtlustatud standardid • Käytetyt yhdenmukaistetut standardit • Normes harmonisées utilisées • Angewandte harmonisierte Normen • Ενωπουόυατα πρότυπα που χρησιμοποιήθηκαν • Harmonizati szabványok • Standard armonizzati applicati • Izmantotie saskanoite standarti • Panaudoti suderini standartai • Standarts armonizati uzati • Normy spóne powiązane • Normas harmonizadas usadas • Standardele armonizate utilizate • Použité harmonizované normy • Upraborenji usklajeni standardi • Estándares armonizados utilizados • Harmoniserede standarder som anvænds • 所采用的协调标准 • Samræmistil staðlar notaðir • 整合規格 • 적용되는 조화 표준 • Kullantian uytumli standartafr • Використані гармонізовані стандарти	EN 61000-6-2: 2005 EN 61000-6-4: 2007; A1:2011 EN ISO 5349-1: 2001 EN ISO 11202: 2010
--	--

Technical standards and specifications used • Използвани технически стандарти и спецификации • Použité technické normy a specifikace • Brugte tekniske standarder og specifikationer • Gebruikte technische standaards en specificaties • Kasutatud tehnilised standardid ja spetsifikatsioonid • Käytetyt tekniset standardit ja eritelmät • Specificacions de normes techniques utilisées • Angewandte technische Normen und Spezifikationen • Τεχνικά πρότυπα και προδιαγραφές που χρησιμοποιήθηκαν • Múazaki szabványok és specifikációk • Standard tecnici e specifiche applicati • Izmantotie tehnieke standarti un specifikacijas • Panaudoti techniniai standartai ir techninė informacija • Standardis u specifikacijaijeiti tehniki uzai • Normy i specyfikacje techniczne powiązane • Normas técnicas e especificações usadas • Standardele tehnice și specificațiile utilizate • Použité technické normy a specifikácie • Upraborenji tehnični standardi in specifikacije • Estándares y especificaciones técnicas utilizadas • Tekniske standarder og specifikationer som anvænds • Samræmistil staðlar sem notaðir eru • Benyttede harmoniserede standarder • 所采用的技术标准和规范 • Teknisksiaðlar og -kröfur notaðar • 技術規格および仕様書 • 적용되는 기술 표준 및 규칙 • Kullantian teknik standardar ve gartnæmeler • Використані технічні стандарти i умови	ISO 2631-1: 2010
---	------------------

The place and date of the declaration • Место и дата на декларацията • Miesto a datum prohlášení • Sied og dato for erklæringen • Plaats en datum van de verklaring • Deklarationsorten og udstedelsesdatoen • Valutazzjoni pakkja in pila pakkja • Lieu et date de la déclaration • Ort und Datum der Erklärung • Tópox ka nrtapoytve ðrjwozç • A nyilatkozka helye (hely és idő) • Luogo e data della dichiarazione • Deklarācijas vieta un datums • Deklaracijos vieta ir data • li-pot u d-data tal-dikjarazzjoni • Mjesto i data wystawienia deklaracji • Local e data de declaracão • Local și data declarării • Miesto a datum vyhlášení • Kraj in datum izjave • Lugar y fecha de la declaración • Plaats en datum for erklæringen • Teknisksiaðlar og tæknilyðingar sem notaðir eru • Benyttede tekniske standarder og specifikationer • Staður og dagsetning lýfingaryngur • Sted og dato for erklæringen • 声明的地点和日期 • Staður og dagsetning lýfingaryngur • 宣言場所および日付 • 선언 장소 및 일자 • Beyn yeri ve tarihi • Mjesto i data udstedelsen deklaracji	Textron Specialized Vehicles (aka E-Z-GO Division of Textron Inc.) 1451 Marvin Griffin Road Augusta, GA 30906 USA 10/14/2019
---	--

<p>Signature of the person empowered to draw up the declaration on behalf of the manufacturer, holds the technical documentation and is authorised to compile the technical file, and who is established in the Community.</p> <p>Подпис на човека, упълномощен да състави декларацията от името на производителя, който поддържа техническата документация и е оторизиран да изготви техническия файл и е регистриран в общността</p> <p>Podpis osoby oprávněné sestavit prohlášení /mĕnem výrobce, držet technickou dokumentaci a osoby oprávněné sestavit technické soubory a založené v rámci Evropského společenství.</p> <p>Underskrift af personen, der har fuldmagt til at udarbejde erklæringen på vegne af producenten, der er indleveret af dokumentationen og er bemyndiget til at udarbejde den tekniske journal, og som er baseret i nærværende land.</p> <p>Handtekening van de persoon die bevoegd is de verklaring namens de fabrikant te tekenen, de technische documentatie bewaart en bevoegd is om het technische bestand samen te stellen, en die is gevestigd in het Vrijhandelgebied.</p> <p>Ühenduse registreisse kantud kaal allkiri, kes on volitatud tootja nimel deklaratsiooni koostama, kes omab tehnilist dokumentatsiooni ja kesel on õigus koostada tehniline tootik.</p> <p>Sen henkilöön allekirjoitus, jolla on valmistajan valtuutus varustuksen laadintaan, jolla on hallussaan tekniset asiakirjat, jake on valmistajan laillistaan tekniset asiakirjat ja joka on sijaitsevatun yhteisössä.</p> <p>Signature de la personne habilitée à rédiger la déclaration au nom du fabricant, à détenir la documentation technique, à compiler les fichiers techniques et qui est implantée dans la Communauté.</p> <p>Unterschrift der Person, die berechtigt ist, die Erklärung im Namen des Herstellers abzugeben, die die technischen Unterlagen aufbewahrt und berechtigt ist, die technischen Unterlagen zusammenzustellen, und die in der Gemeinschaft niedergelassen ist.</p> <p>Υπογραφή από τον εξουσιοδοτημένο για την σύνταξη της δήλωσης εκ μέρους του κατασκευαστή, ο οποίος κατοικεί στην περιοχή του ελεύθερου εμπορίου και έχει την εξουσιοδότηση να τηρεί τον τεχνικό αρχείο και ο οποίος είναι εγγεγραμμένος στην Κοινότητα.</p> <p>A gyártó nevében meghatalmazott személy, akinek jogában áll módosítani a nyilatkozatot, a műszaki dokumentációt őriz, engedélyvel rendelkezik a műszaki fájel összeállításához, és aki a közösségen belülről származik.</p> <p>Firma della persona autorizzata a redigere la dichiarazione a nome del fabbricante, in possesso della documentazione tecnica ed autorizzata a custodire il fascicolo tecnico, che deve essere stabilita nella Comunità.</p> <p>Tās personas parakšas, kura ir pilnvarota deklarācijas sastādīšanai ražotāja vārdā, kurai ir tehniskā dokumentācija, kura ir pilnvarota sagatavot tehnisko reģistru un kura ir apstiprināta Kopienā.</p> <p>Aismo, kuris yra gėra žmogus, kuriam gamintojas suteikė įgaliojimus sudaryti šią deklaraciją, ir kuris jį pasirašė, turi visą techninę informaciją ir yra įgaliojamas sudaryti techninės informacijos dokumentą.</p> <p>Il-firma tal-persuna awtorizzata li ffassal id-dikjarazzjoni f'isem il-fabrikant, għandha d-dokumentazzjoni teknika u hija awtorizzata li bikkompila l-fajel tekniku u li hija stabbilla fl-Comunità.</p> <p>Podpis osoby upowaznionej do sporządzenia deklaracji w imieniu producenta, przechowującej dokumentację techniczną, upowaznioną do stworzenia dokumentacji technicznej oraz wyznaczonych dś, wspolnotowych.</p> <p>Assinatura da pessoa com poderes para emitir a declaração em nome do fabricante, que possui a documentação técnica, que está autorizada a compilar o processo técnico e que está estabelecida na Comunidade.</p> <p>Sambirura persoanei împuternicită să elaboreze declarația în numele producătorului, care deține documentația tehnică, este autorizată să compileze dosarul tehnic și este stabilită în Comunitate.</p> <p>Podpis osoby powołanej wysławianim wyhlášení v mene výrobce, ktorá má technickú dokumentáciu a je oprávnená spracovať technické podklady a ktorá je ustanovená v Spoločenstve.</p> <p>Podpis osobe, pooblašćene za izdelavo izjave v imenu proizvajalca, ki ima tehnično dokumentacijo in lahko sestavlja spis tehnične dokumentacije, ter ima sedež v Skupnosti.</p> <p>Firma de la persona responsable de la declaración en nombre del fabricante, que posee la documentación técnica y está autorizada para compilar el archivo técnico y que está establecido en la Comunidad.</p> <p>Underteknas av den som bemyndigad att upprätta deklarationen å tillverkarens vägnar, inahar den tekniska dokumentationen och är bemyndigad att sammanställa den tekniska informationen och som är etablerad i gemenskapen.</p> <p>Underskrift slobans sem hefur umboð til að gera yfirlýsinguna fyrir hönd framleiðandans, hefur undir höndum tæknigögn og hefur leyfi til að taka saman tæknifjálgögn, og er víðsettur/ur innan Evrópska efnahagsvæðans.</p> <p>Signaturen li persoon som har fullmakt til å utferdigge erklæringen på vegne av produsenten, er i besittelse av den tekniske dokumentasjonen, har autorisasjon til å utarbeide den tekniske filen og som har tilhørlig i EU.</p> <p>託事者或代表者(製造者)の署名は、製造者から技術文書(技術ファイル)を構築する権限を有し、地域において造出たる物件を擁している人物の署名。</p> <p>託事者(代表者)の署名は、製造者から技術文書(技術ファイル)を構築する権限を有し、地域において造出たる物件を擁している人物の署名。</p> <p>Íhvaldi aðinn hvarinn hvarfærla veðskil oðla, teknik dokumantatsjónu efnala búvöndun og teknik dosavay þerfema yfirlýsinga sahlin. Töðluðk sjrta veðskil kisin ímora.</p>	<p>2006/42/EC Annex II 1A: 2</p> <p>European Representative: Eberhard Witzgal General Manager Textron Motors GmbH Dalmierstraße 5 89677 Markdorf Germany</p> <p>UK representative: Chris Clifford Technical Director Ransomes Jacobsen Limited West Road, Ransomes Europark, Ipswich, England, IP3 9TT</p>  <p>2006/42/EC Annex II 1A: 10 William Rhinesmith Vice President of Engineering Textron Specialized Vehicles 1451 Marvin Griffin Road Augusta, GA 30906 USA Signatory</p>
---	--

<p>Certificate Number • Номер на сертификата • Číslo osvědčení • Certifikatnummer • Certificaatnummer • Sertifikata number • Hyväksyntänumero • Numéro de certificat • Bescheinigungsnummer • Απόδειξη /Πιστοποιητικό • Hiteletélesi szám • Numero del certificato • Sertifikata numurs • Numru la-Certificat • Numer certifikata • Número do Certificado • Număr certificat • Číslo osvědčenia • Številka certifikata • Número do certificado • Certifikatnummer • Numer skriteina • Sertifikatnummer • 证书编号 • Skriteinainúmer • 認証番号 • 인증 번호 • Sertifika Numaras • Номер сертификата</p>	<p>DoC1039</p>
--	----------------



INDEX

B

- battery disposal 8
- battery maintenance 41
- brakes 41
- break-in
 - CVT belt 20
 - engine 20

C

- capacity
 - cargo load 11
 - fluids 28, 47
 - hitch 47
 - load 47
 - towing 47
- carbon monoxide 14
- cargo
 - maximum load 11
- cleaning the vehicle 30
- CVT belt break-in 20

D

- driving procedures
 - accelerating 21
 - braking 22
 - downhill 23
 - parking 24
 - passenger 22
 - reverse 24
 - slippery surfaces 23
 - stalling on hill 24
 - traversing hillsides 23
 - uphill 23

E

- engine
 - break-in 20
 - starting 21
- engine oil
 - capacity 28
 - recommended 28

F

- fluids
 - capacities 28
 - recommended 28
- fuel
 - add 20
 - handling guidelines 13
 - specifications 20

H

- hauling, vehicle 43

I

- initial service items 26

L

- labels, safety 9
- lifting, vehicle 15, 29
- lubricants, recommended 28

M

- maintenance
 - chart 26
 - fluid capacities 28
 - recommended fluids and lubricants 28
 - scheduled 25
- malfunction indicator light (MIL) 39

N

- neutral lock 44

O

- oil, engine
 - capacity 28
 - recommended 28
- operator safety 12

P

- PIN plate 8
- pre-ride inspection 19

R

- registration information, vehicle 7

S

- safety
 - carbon monoxide 14
 - cargo 11
 - driving downhill 14
 - driving in reverse 14
 - driving uphill 14
 - driving with passenger 13
 - engine exhaust 14
 - fuel 13
 - hot exhaust 15
 - labels 9
 - lifting, vehicle 15, 29
 - operation 19
 - operator 12
 - pre-ride inspection 19
 - slippery terrain 15

INDEX

- stalling 14
- tire pressure 11, 31
- tires 14
- unauthorized use 12
- vehicle modification 15
- weight capacity 11
- safety symbols 7
- scheduled maintenance chart 26
- serial number labels 8
- slippery surfaces 23
- spark plugs 40
- specifications, vehicle 47

T

- tires 30
 - pressure 11, 31
 - repair 31
 - replacement 31
- towing, vehicle 44
- transporting the vehicle 43

V

- vehicle
 - hauling 43
 - removing from storage 45
 - specifications 47
 - storage 45
 - towing 44
 - transporting 43
- vehicle identification numbers 8

W

- warranty information, vehicle 7
- washing the vehicle 30
- weight capacity, maximum 11
- wheels 31, 32
 - axle and wheel nut torques 31
 - wheel installation 32
 - wheel removal 31

Normal use, age, and wear on vehicle components can affect the safe operation and reliability of the vehicle. The recommended inspection and maintenance procedures are crucial for safety, performance, reliability and maximum longevity of your vehicle.

A damaged vehicle, or a vehicle that is not functioning properly is dangerous and must not be operated until repairs are made.

NOTICE: Read the following operational warnings before driving the vehicle:

WARNING

Before exiting the vehicle, turn the key switch to the OFF position and remove the key from the vehicle to prevent unauthorized use.

Drive the vehicle at appropriate speeds for the terrain and conditions. Be aware of any environmental conditions that change the terrain and your ability to control the vehicle.

Do not drive on excessively steep hills. Evaluate the terrain before descending a hill. Drive slowly and deliberately. Use the brake to limit speed and maintain control. Sudden braking or turning can cause a loss of vehicle control. Drive straight down the hill; do not drive across the hill.

Operate in approved areas.

Keep both feet, legs, hands and arms inside vehicle at all times.

Avoid driving on terrain that is too rough for the vehicle's capabilities and your driving skills.

Before driving in the reverse direction, make sure the area behind the vehicle is clear. Accelerate slowly and avoid making sharp turns.

Make sure the direction selector is in the correct position before pressing the accelerator pedal.

Decrease speed before and during turns.

Bring the vehicle to a complete stop before moving the direction selector.

See *SPECIFICATIONS* on page 47 for the vehicle load and seat capacity.

NOTICE: Read the following maintenance information and warnings before servicing or repairing the vehicle:

Follow the procedures and comply with the safety information in this manual while performing vehicle service or maintenance.

Use the tools shown in the tool list and wear the specified safety equipment when performing vehicle service or maintenance.

WARNING

Remove all jewelry before servicing the vehicle.

Do not allow loose clothing or hair to contact the moving parts.

Do not touch hot objects.

The drive wheels must be lifted and supported on jack stands before performing any service to the powertrain while the motor is in operation.



When servicing the vehicle, always wear eye protection. Be careful when working around batteries, using solvents, or compressed air.

Use insulated wrenches to decrease the risk of a short-circuit if a wrench contacts the battery terminals. A short-circuit in a battery can cause an explosion.

To prevent the risk of battery explosion, keep all flammable materials, open flames, or sparks away from the batteries.

Hydrogen gas is produced as batteries are charged. Charge batteries only in well-ventilated areas.

Maintain constant awareness that some components are heavy, spring loaded, corrosive, explosive, can cause high amperage, or get extremely hot. Battery acid and hydrogen gas can cause bodily injury. Keep your hands, face, feet and body away from any area that can expose them to injury if an unexpected situation occurs.



California Proposition 65



WARNING

The Engine Exhaust from this product contains chemicals known to the State of California to cause cancer, birth defects or other reproductive harm.

TEXTRON SPECIALIZED VEHICLES

1451 Marvin Griffin Road
Augusta, GA, USA 30906-3852

1-800-774-3946 Technical Assistance & Warranty
1-888-438-3946 Service Parts
www.ezgo.com

Service Parts Manuals and Repair and Service Manuals
are available for purchase.

Copyrighted Material
This manual may not be reproduced in whole or in
part without the express permission of
Textron Specialized Vehicles,
Technical Publications Department